

spell[®]

www.spell-online.com

LOOKBOOK



Spell has been around for over 10 years.
The secret to our success is
the ability to adapt.
The aim is to find innovative answers for an
inspiring, sustainable and ever-changing
workplace in the future.



"Passion for
craftsmanship,
timeless design
and natural
materials"



CONTENT

Tables & High Tables

Catwalker Series

CATWALKER Bar	30-39
CATWALKER Bar Endless	30-43
CATWALKER Table	44-47
CATWALKER Outdoor	48-49
CATWALKER Table Endless	50-59
CATWALKER Coworking Endless	56-59
CATWALKER Desk & High Desk	60-63

Tab Series

TAB Coworking	66-75
TAB Table	68-75
TAB Bar	74-75
TAB Bar Endless	74-75

Cone Series

CONE Table	76-80
CONE Table Endless	76-80

Sway Series

SWAY Bar Slim	81-86
SWAY Table Slim	81-86
SWAY Oval Slim	81-87

Woodwork Series

WOODWORK Desk Endless	88-94
-----------------------	-------

Bold Series

BOLD Table	96-103
BOLD Table Endless	96-103
BOLD Bar Endless	96-103

Shift Series

SHIFT Table	104-107
-------------	---------

FollowUp Series

FolowUp Table	108-111
FolowUp Table Endless	108-111

Timeline Series

TIMELINE Desk	112-116
TIMELINE Bar	119-128
TIMELINE Table	119-128
TIMELINE Bar (tube)	119-128

Side & Coffee Tables

Blush Series

BLUSH Side & coffee tables	130-137
----------------------------	---------

Amarant Series

AMARANT Side & coffee tables	138-142
------------------------------	---------

Mondo Series

MONDO Side & coffee tables	144-146
----------------------------	---------

Storage

Reset Series

RESET Storage	148-155
---------------	---------

CONTENT

Tech Furniture

Nomad Tablet Series

NOMAD Round	156-162
NOMAD Square	156-162
NOMAD High	156-162
NOMAD Stand	156-162

Stage Series

STAGE Charging Shelf	166-168
----------------------	---------

Next Series

NEXT Wireless Charging	170-172
------------------------	---------

Splitscreen Series

SPLITSCREEN Laptop Table	174-176
--------------------------	---------

Club Tables

Blush Hospitality Series

BLUSH Club Tables	178-189
-------------------	---------

Seating

Worker Series

WORKER Stools	190-194
---------------	---------

Catwalker Seating Series

CATWALKER Chair	196-198
CATWALKER Counter Stool	196-198
CATWALKER Bar Stool	196-198
CATWALKER Lounger	196-198
CATWALKER Bench	200-203
CATWALKER Bench Endless	200-203
CATWALKER High Bench	204-204

Soft Seating

Shuffle Series

Shuffle	206-218
---------	---------

Electrification Options	220-220
-------------------------	---------

Spell Overview	222-225
----------------	---------

Media Bank	226-227
------------	---------



SUSTAINABILITY

QUALITY FURNITURE FOR THE NEXT ERA

Spell is a design & production company with a deeply-rooted belief in the value of technology & sustainability. Whether we are designing a bespoke interior for an entire project or our private furniture collection, every piece of furniture we make is carefully designed for functionality, beauty and sustainability. Wood has always been a vital core material within the Spell collection. We simply love wood for its appearance, character traits and timelessness. Even as wood ages, the material does so with dignity. The passage of time improves wooden elements and structures. We are very much aware of the impact of our industry on the environment, and we are therefore focused on environmental issues. The origin of our wood, the energy we use in the production and distribution process, and the treatment of the products and circular use.

A responsible and sustainable approach is central to everything we do.

RAW MATERIALS

We care not only about our products but also about the entire production process. Our wood is carefully selected and only comes from sustainably managed forests. Because plantations are renewed by rotation and new trees are planted immediately, there is no deforestation, and continuity is guaranteed. Furthermore, we work exclusively with FSC® & PEFC™ certified wood. The oils and lacquers that we use meet the most stringent standards of both our partners and our furniture. We support the idea of a circular economy in which raw materials are reused as much as possible with the least possible use of energy and transport. We are convinced that locally made products can be better managed on quality and offer more flexibility in achieving specific demands. Our solid wood tables are a good example. These are 100% produced in the Netherlands.

LOCAL CRAFTSMANSHIP

Over the years, we have continuously invested in new technologies in collaboration with our local partners. This enables us to control the entire process, from the selection of the best raw materials to the finalised production. From sawing and drying the wood to finishing the end product. Both our local partners and us work with reliable and skilled professionals who are passionate about the entire manufacturing process.



“WE USE SMART PROGRAMMING WHICH MINIMISES WASTE”

CERTIFICATIONS

Our commitment to the environment is reflected in our FSC® & PEFC™ certifications. In other words, these organisations guarantee that products with these labels come from forests that are managed in such a way that they meet the social, economic and environmental needs of current and future generations. Our mission is to make durable design that leaves a small footprint on earth. Furthermore, we only use sustainable fabrics for our furniture. For example, we have decided to include a wide collection of Kvadrat fabrics. These materials all have the European environmental label EU Ecolabel.



REDUCE [NO WASTE]

We use smart CNC programming which minimises waste. Production waste, such as leftover residues of tree trunks, wood and sawdust, is reused for other purposes. The sawdust from logs is used as fuel for the drying ovens or compressed as a base for pallets. Smaller and larger parts that are left over after selection and production of our furniture are used for the production of our 'Workplace Essentials' accessories. This makes every product unique.



MODIFY

Our furniture can make use of technical innovations such as electrification applications and Qi wireless charging. By taking future changes into account during the design process, they can easily be adapted to the new age.



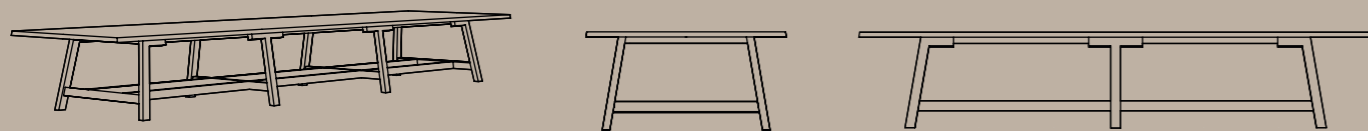
RECYCLE

After a long period of intensive use of our solid wood furniture, a new life follows. Because solid wood can be easily sanded in our factory, it can last for years, with or without the application of a new color finish. The furniture will look like new again and can be used for many years to come. Spell is pleased to provide you with this service.



REPAIR & RE USE

By using the same parts for multiple product models we create an efficient production line. For example, the legs of the Catwalker line are interchangeable for all (custom) models.



Many parts of our furniture can be replaced separately, which means that the product can easily be repaired or parts replaced in the event of any damage. **(Design to Repair)** This is how we ensure that nothing ends up in the waste and that the product will retain its timeless function.



ABOUT OUR SOLID WOOD

At Spell, we do love the forest. Most of the materials in our furniture is solid wood.

Wood is a high sustainable material, because it retains carbon dioxide. Trees take carbon dioxide from the air and store it. The carbon bound in the wood continues to be stored in the manufactured wood products.

In other words, an solid oak table becomes a storage space for CO2.

Therefore, buying furniture made of solid wood is a responsible choice.

As trees store CO2 and release oxygen, we want to make sure that for every tree we uses, new trees are planted.

That's why we work with FSC or PEFC certified oak and walnut wood, which comes from sustainable forestry.

Sustainable forestry ensures that trees are cut down in a way that stimulates the natural growth of the forest.

The more trees we plant, the more carbon dioxide is absorbed from the atmosphere and stored.

We have strict rules when it comes to the quality of our products.

We want to make sure that all furniture will last for years.

Therefore we work solely with FSC-or PEFC certified European oak & walnut wood.

Buying wooden furniture is climate smart.

All our wooden tables are made of continuous oak.



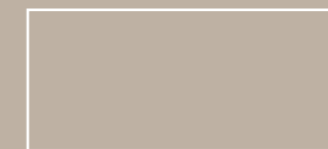
Spell offers a wide range of table top forms and edge finishes



Square



Round



Rectangle



Oval



Tube



Organic



Danish
Oval



Video Conference



Squircle



Hexagon



Pebble

HOW THE DESIGN PROCESS STARTS

Everything we make and sell is designed in our inhouse studio in Buren, The Netherlands. Discovering a need can come from a careful analysis of our current collection to determine what is missing.

It may stem from the desire to solve a problem that we notice. This was the case, with our tech furniture line.

But with every decision we make within the company, the first question is, how demanding is this on our planet?

We have big ambitions when it comes to sustainability.

We prepare a "design brief" - which serves as a mission statement and guideline for future designs.





— WE SKETCH, MAKE MODELS AND BUILD PROTOTYPES

At Spell, the creation process is always a balance between computer modelling and making physical prototypes.

We love to make small scale models to test an idea or build a rough full-scale prototype to look at proportions.

We select the right craftsmen around us to interweave knowledge, heritage and innovation at an early state.

It is a step-by-step creative process, where every sketch, model and prototype brings us closer to the final design.

— PROUDLY PRODUCED IN THE NETHERLANDS

Once we think we have the design where we want it, we work through several rounds of production samples - refining details, solving manufacturing issues, tweaking proportions, adjusting finishes - until we arrive at the final product.

Our mission is to design timeless furniture that will last a lifetime. We only work with the highest quality materials. The subtle details show the craftsmanship and attention to detail with which the furniture is made.

The entire collection is proudly produced in the Netherlands.





WE ADAPT OUR PRODUCTS TO CUSTOMER NEEDS

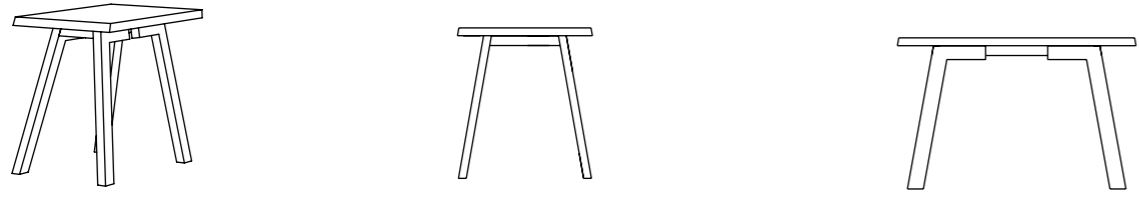
We are specialised in the design, development and production of contemporary, authentic solutions, made for innovative sustainable working environments.

Spell has great expertise in developing tailor-made and individual solutions for commercial projects such as offices, hotels, museums, libraries, multimedia stations, restaurants and a whole lot more! Bespoke furniture has been made possible through close collaboration with interior designers, architects and project planners that are directly involved and unique to every situation.

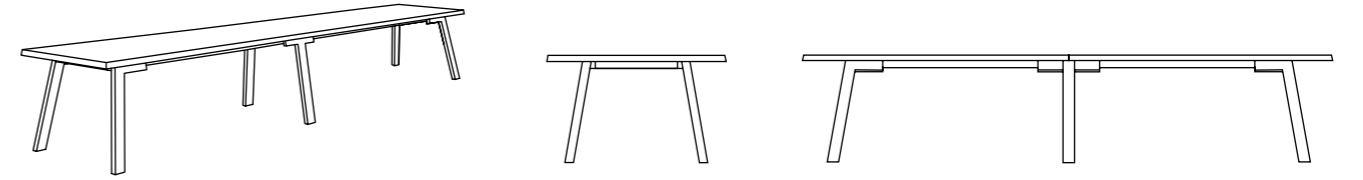
A photograph of a modern dining area. In the foreground, a long, light-colored wooden table with a brass-colored edge is visible. Underneath the table, several white, bowl-shaped chairs with wooden legs are arranged. The background features large windows with sheer curtains, allowing natural light to fill the room. A black pendant lamp hangs above the table. The overall aesthetic is clean and contemporary.

CATWALKER series
Endless design possibilities

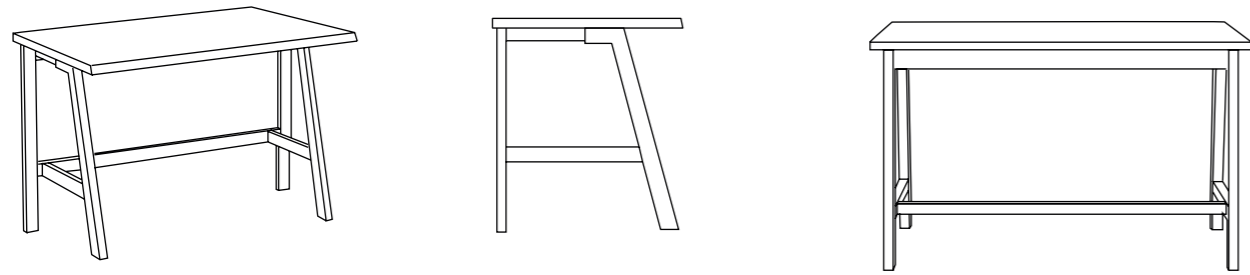
Catwalker Console



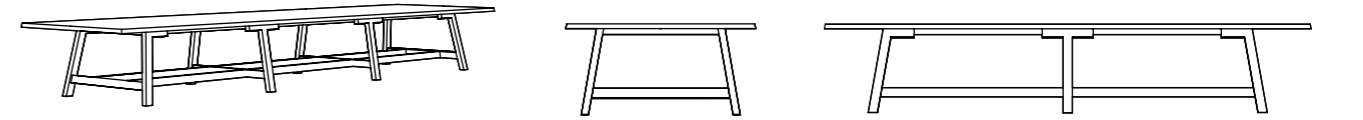
Catwalker Table Endless



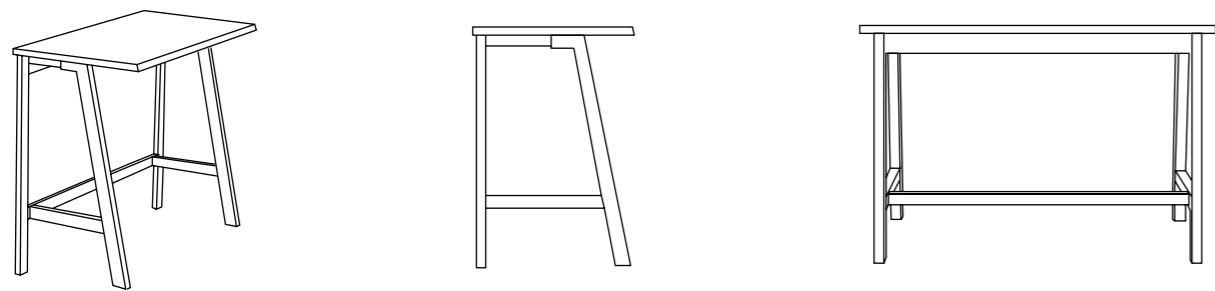
Catwalker Desk



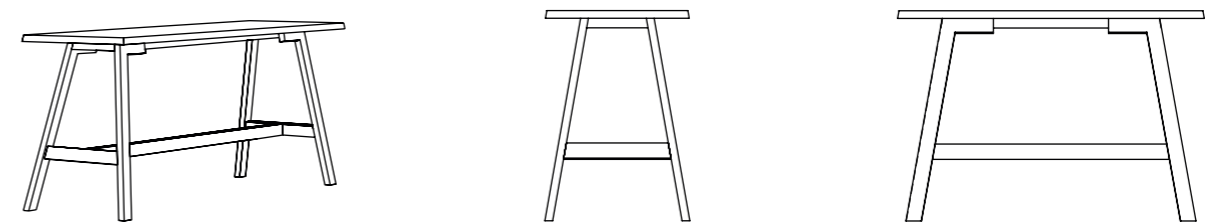
Catwalker Coworking Endless



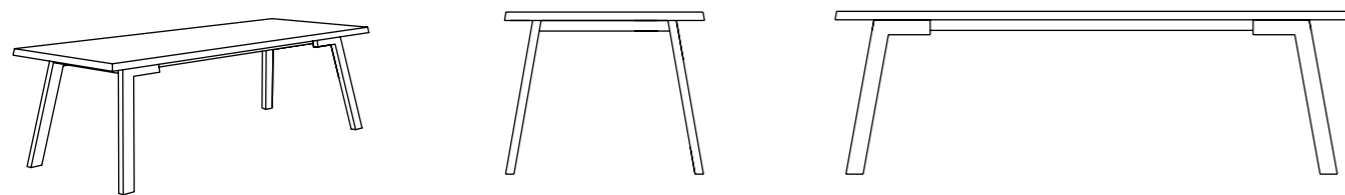
Catwalker High Desk



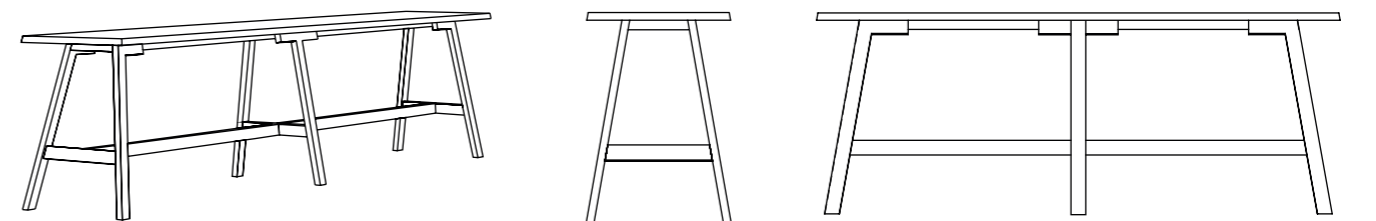
Catwalker Bar



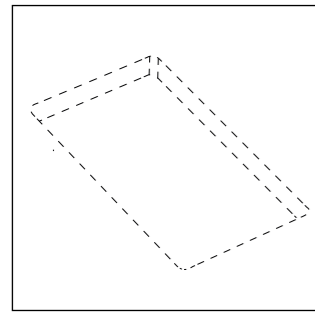
Catwalker Table



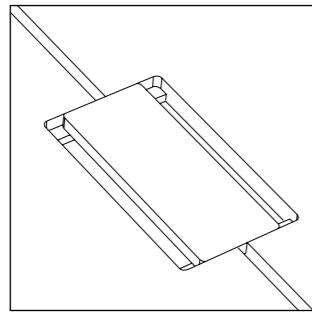
Catwalker Bar Endless



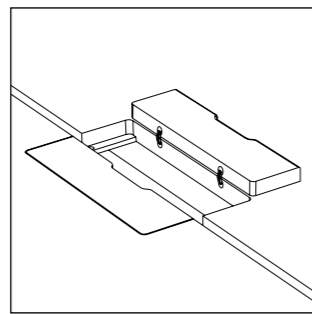
Electrification Wood Options



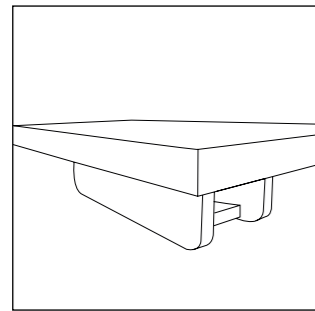
Cut Out



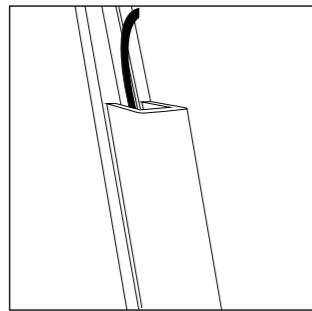
Inlay Panel



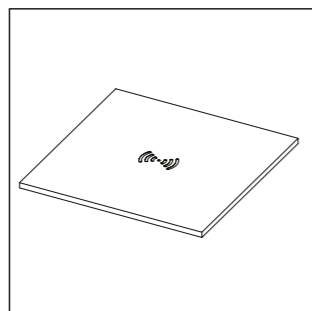
Hinge matching or contrast



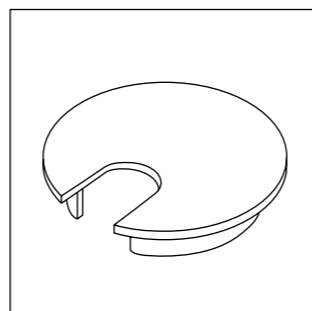
Wooden Cable Canal



Wooden Cable Canal Leg

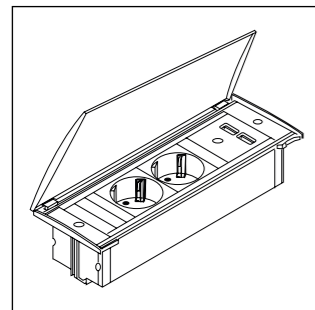


Qi Wireless Charging (Blind)

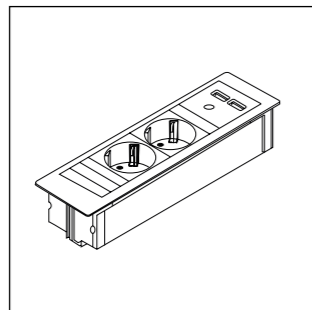


Cable Hole Cover

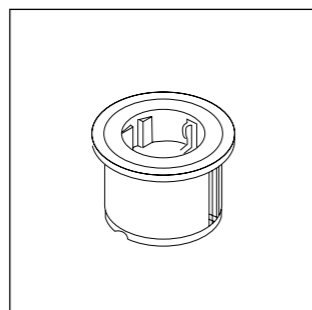
Electrification Options



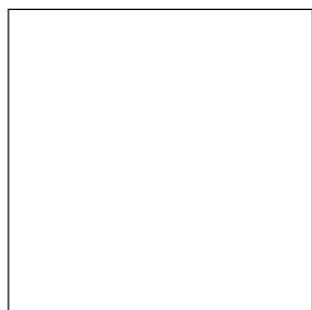
Bachmann Kapsa



Bachmann Power Frame

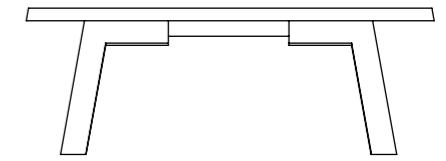
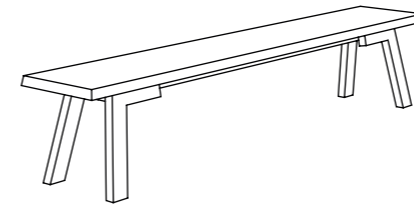


Bachmann Pix

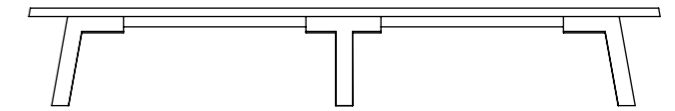
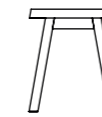
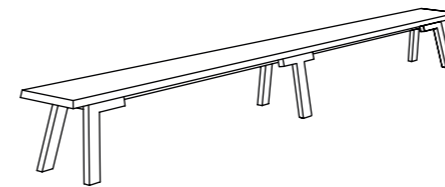


Own selection also possible

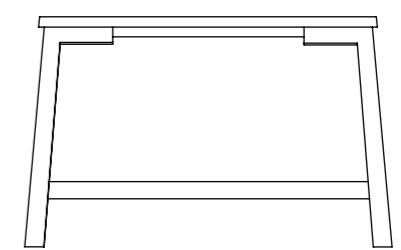
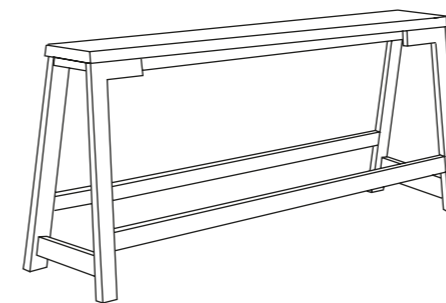
Catwalker Bench



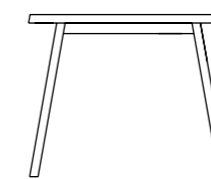
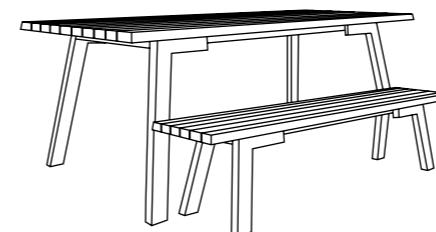
Catwalker Bench Endless



Catwalker High Bench



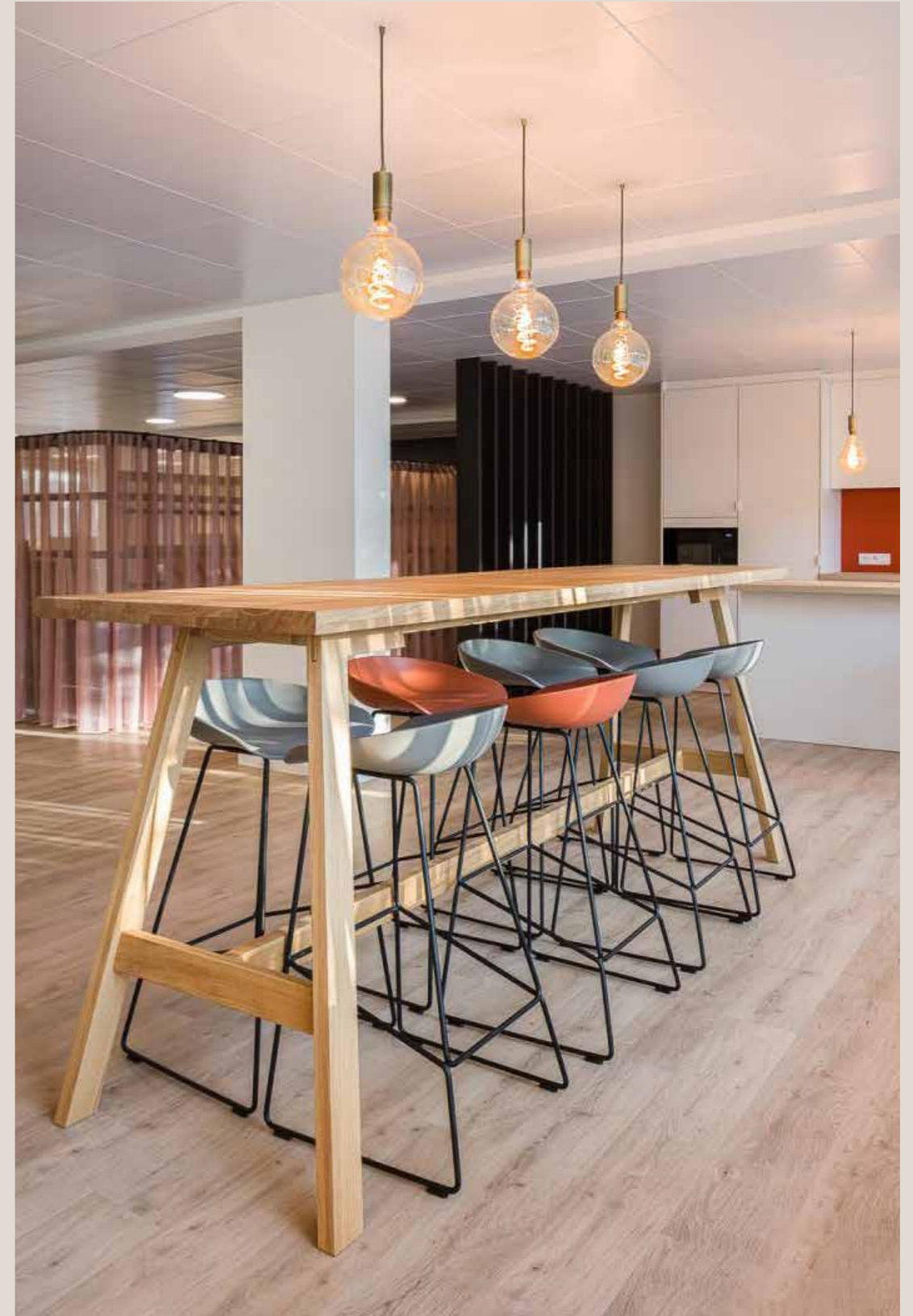
Catwalker Outdoor



CATWALKER BAR



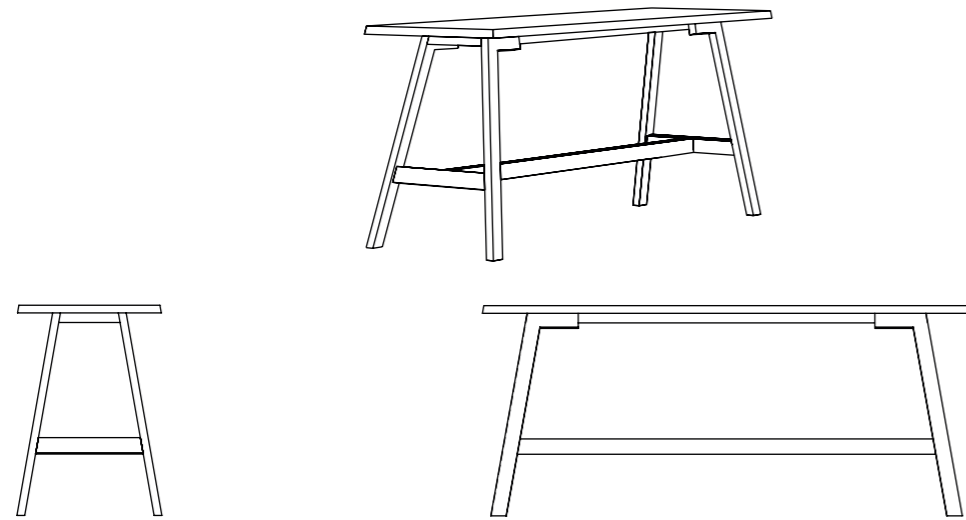
Catwalker Bar | Solid Ash | White wash 012
Photography Wouter van der Sar



Catwalker Bar | Solid oak | Natural 000
Photography Ludwig Desmet



Catwalker Bar

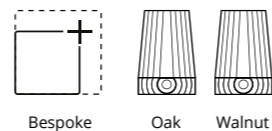


Lenght	Width	Height	Legs + H frame	Tabletop(s)	Electrification
160	75 - 90	90/105/110	4	1	Optional
180	75 - 90	90/105/110	4	1	Optional
200	75 - 90	90/105/110	4	1	Optional
210	75 - 90	90/105/110	4	1	Optional
220	75 - 90	90/105/110	4	1	Optional
240	75 - 90	90/105/110	4	1	Optional
260	75 - 90	90/105/110	4	1	Optional
280	75 - 90	90/105/110	4	1	Optional
300	75 - 90	90/105/110	4	1	Optional
320	75 - 90	90/105/110	4	1	Optional
340	75 - 90	90/105/110	4	1	Optional
350	75 - 90	90/105/110	4	1	Optional

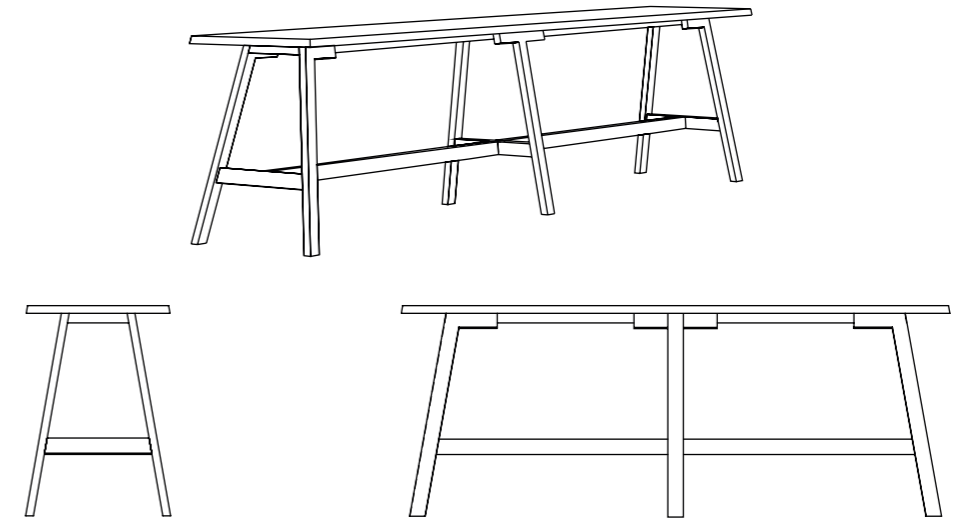
On request

160	90 - 120	90/105/110	4	1	Optional
180	90 - 120	90/105/110	4	1	Optional
200	90 - 120	90/105/110	4	1	Optional
210	90 - 120	90/105/110	4	1	Optional
220	90 - 120	90/105/110	4	1	Optional
240	90 - 120	90/105/110	4	1	Optional
260	90 - 120	90/105/110	4	1	Optional
300	90 - 120	90/105/110	4	1	Optional
320	90 - 120	90/105/110	4	1	Optional

On request

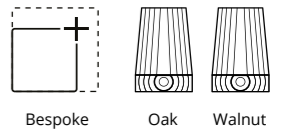


Catwalker Bar Endless



Lenght	Width	Height	Legs + H frame	Tabletop(s)	Electrification
340	75 - 100	90/ 105/ 110	6	2	Optional
360	75 - 100	90/ 105/ 110	6	2	Optional
380	75 - 100	90/ 105/ 110	6	2	Optional
400	75 - 100	90/ 105/ 110	6	2	Optional
480	75 - 100	90/ 105/ 110	6	2	Optional
520	75 - 100	90/ 105/ 110	6	2	Optional
540	75 - 100	90/ 105/ 110	6	2	Optional
560	75 - 100	90/ 105/ 110	6	2	Optional
580	75 - 100	90/ 105/ 110	6	2	Optional
600	75 - 100	90/ 105/ 110	6	2	Optional

On request





Catwalker Bar | Solid Oak | Natural 000
Photography Ludwig Desmet



Catwalker Bar | Solid Oak | Natural 000
Photography Ludwig Desmet

A photograph of a modern dining room. In the foreground, a long, solid oak table with a natural finish is supported by thick wooden legs. Underneath the table, several black metal stools with a wire mesh base and a curved seat are tucked under. The background shows a large window with white curtains, a tufted brown sofa, and more tables and chairs. The lighting is warm and natural, suggesting a bright day. The overall aesthetic is clean, minimalist, and functional.

"It is our mission
to create furniture that makes
a positive contribution
to human health and
environment"

CATWALKER BAR ENDLESS



Catwalker Bar Endless | Solid Oak | Natural 000
Photography Mike Bink





CATWALKER TABLE

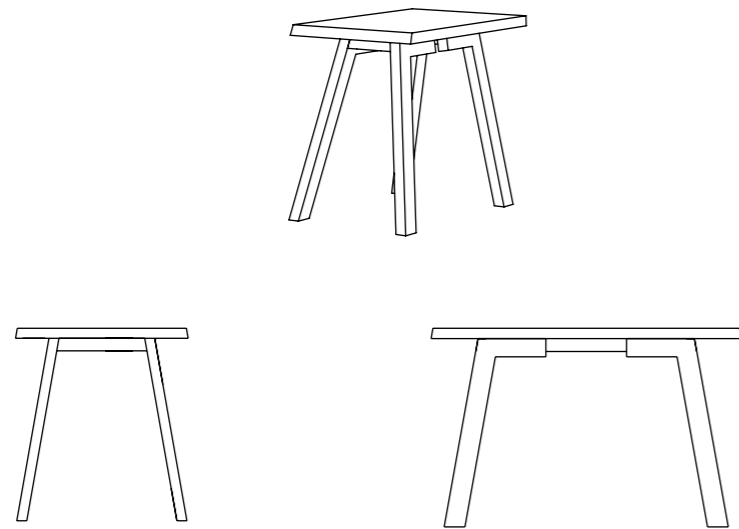


Catwalker Table | Solid Oak | White Lacquered Ral 9003
Photography Fiona Kock

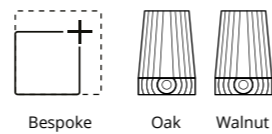


Catwalker Table | Solid Oak | Natural 000
Photography Nicolas Bianchi

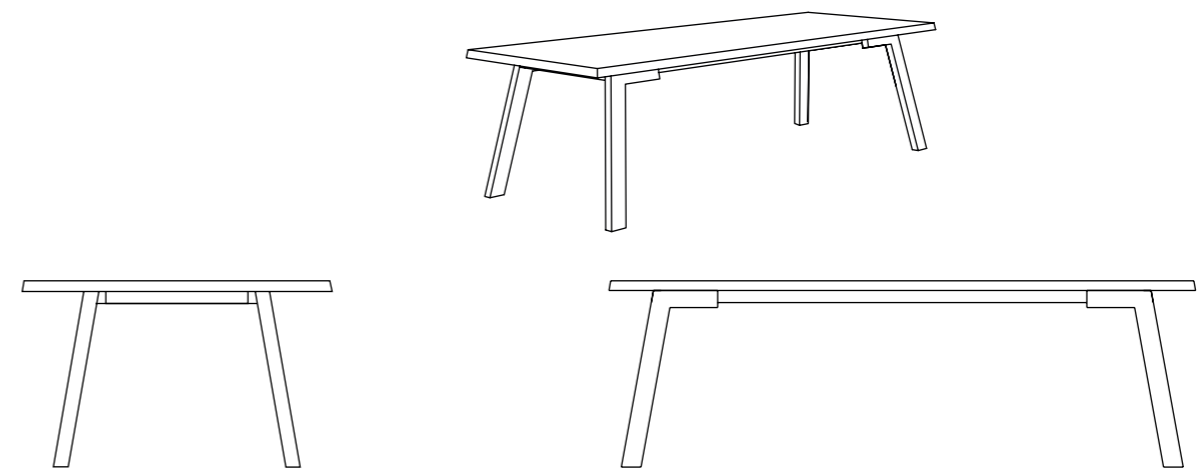
Catwalker Console



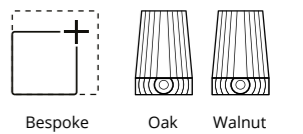
Lenght	Width	Height	Legs	Tabletop(s)	Electrification
120	60 -100	76-100	4	1	Optional
140	60 -100	76-100	4	1	Optional
160	60 -100	76-100	4	1	Optional
180	60 -100	76-100	4	1	Optional
200	60 -100	76-100	4	1	Optional
220	60 -100	76-100	4	1	Optional
240	60 -100	76-100	4	1	Optional
On request					



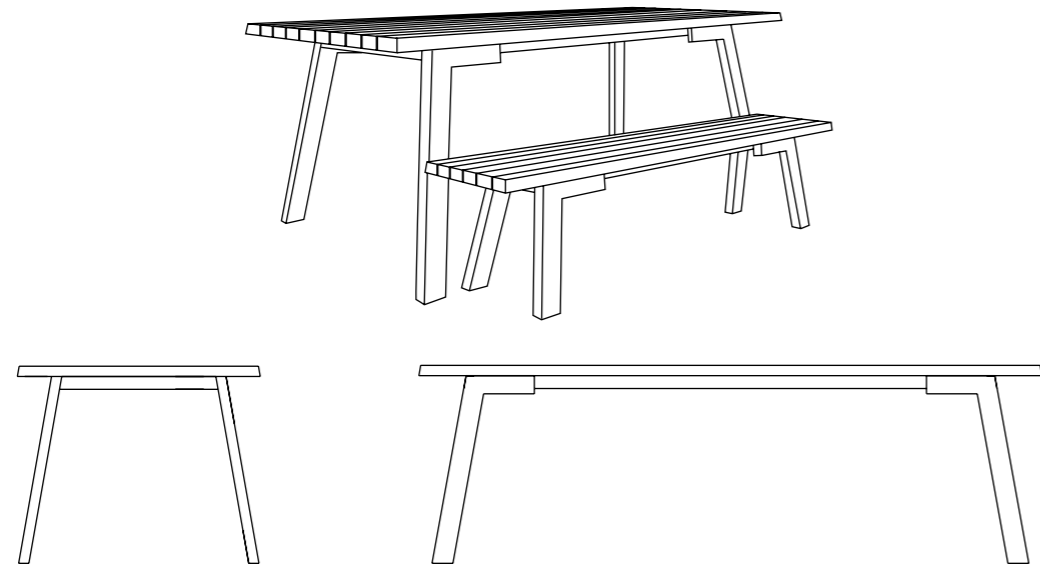
Catwalker Table



Lenght	Width	Height	Legs	Tabletop(s)	Electrification
140	95 -120	76	4	1	Optional
160	95 -120	76	4	1	Optional
180	95 -120	76	4	1	Optional
200	95 -120	76	4	1	Optional
220	95 -120	76	4	1	Optional
240	95 -120	76	4	1	Optional
260	95 -120	76	4	1	Optional
280	95 -120	76	4	1	Optional
300	95 -120	76	4	1	Optional
320	95 -120	76	4	1	Optional
340	95 -120	76	4	1	Optional
On request					

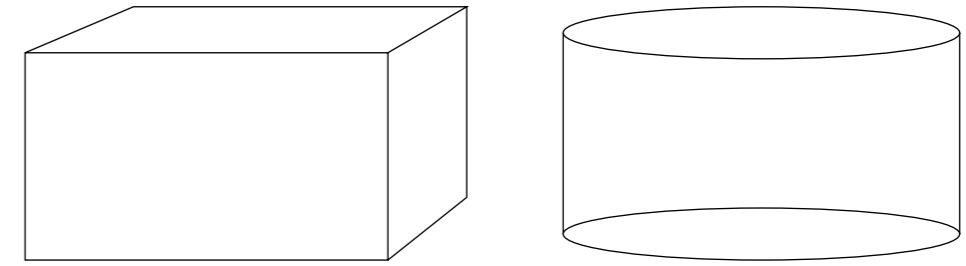


Catwalker Table Outdoor



Lenght	Width	Height	Legs	Tabletop(s)	Maintenance package
140	95 -120	75	4	1	Optional
160	95 -120	75	4	1	Optional
180	95 -120	75	4	1	Optional
200	95 -120	75	4	1	Optional
220	95 -120	75	4	1	Optional
240	95 -120	75	4	1	Optional
260	95 -120	75	4	1	Optional
280	95 -120	75	4	1	Optional
300	95 -120	75	4	1	Optional
320	95 -120	75	4	1	Optional
340	95 -120	75	4	1	Optional
On request					

Catwalker Outdoor Cover



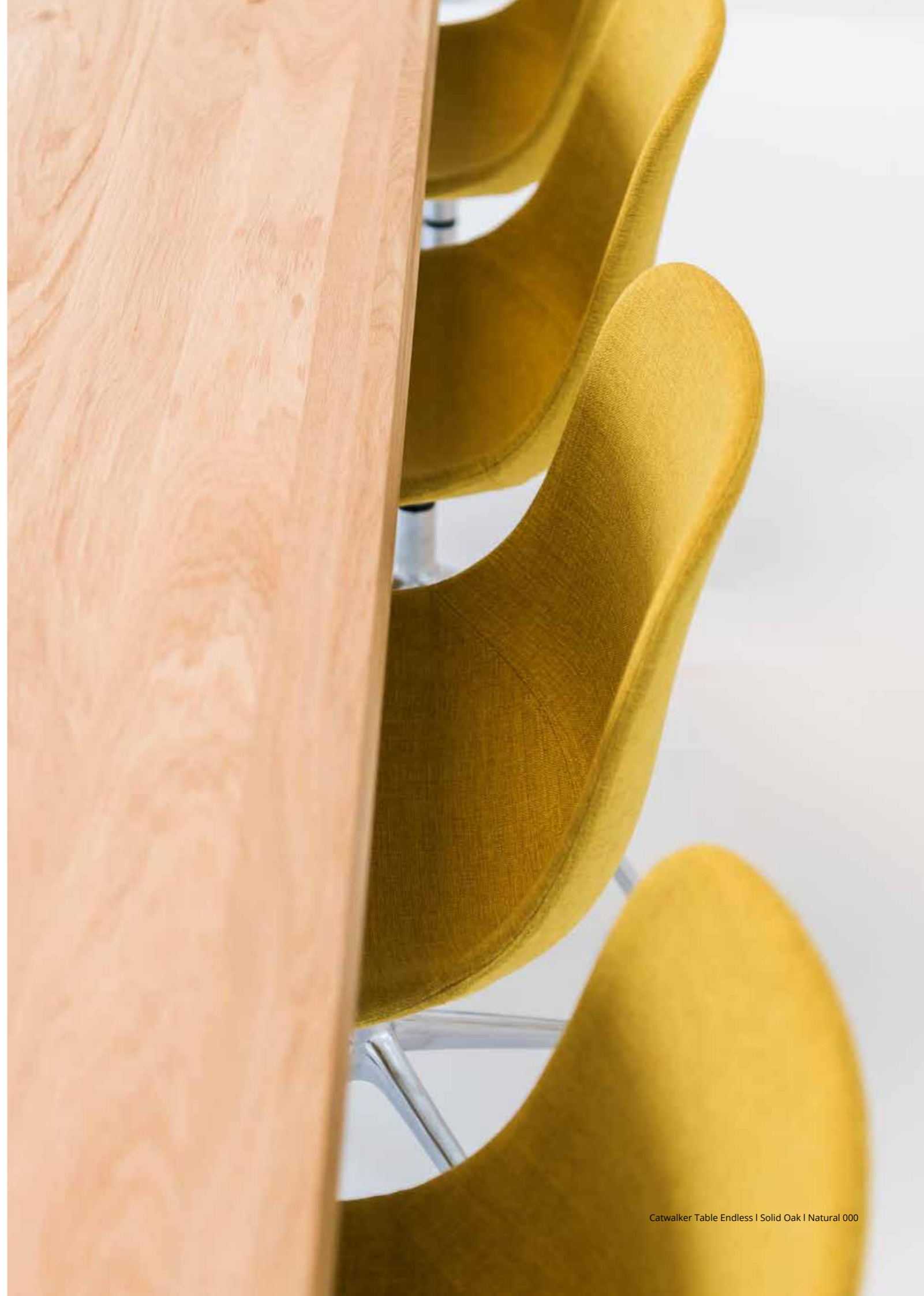
including storage bag

Lenght	Width	Height	Oxford Fabric	Elastic in hem	Ventilation holes
140+3	95-120+3	70	600DS	Yes	Yes
160+3	95-120+3	70	600DS	Yes	Yes
180+3	95-120+3	70	600DS	Yes	Yes
200+3	95-120+3	70	600DS	Yes	Yes
220+3	95-120+3	70	600DS	Yes	Yes
240+3	95-120+3	70	600DS	Yes	Yes
260+3	95-120+3	70	600DS	Yes	Yes
280+3	95-120+3	70	600DS	Yes	Yes
300+3	95-120+3	70	600DS	Yes	Yes
320+3	95-120+3	70	600DS	Yes	Yes
340+3	95-120+3	70	600DS	Yes	Yes
On request					

Diameter	Model Table	Height	Oxford Fabric	Elastic in hem	Ventilation holes
Ø 123	Ø 120	70	600DS	Yes	Yes
Ø 133	Ø 130	70	600DS	Yes	Yes
Ø 143	Ø 140	70	600DS	Yes	Yes
Ø 160	Ø 160	70	600DS	Yes	Yes

CATWALKER TABLE ENDLESS



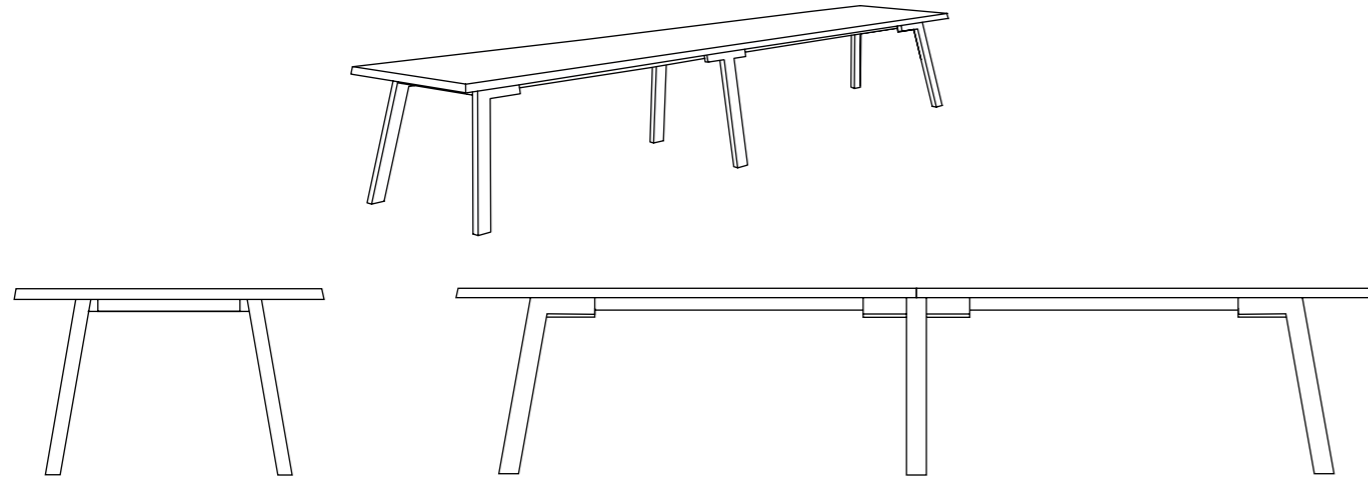




CATWALKER COWORKING ENDLESS

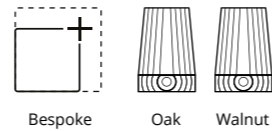


Catwalker Table Endless

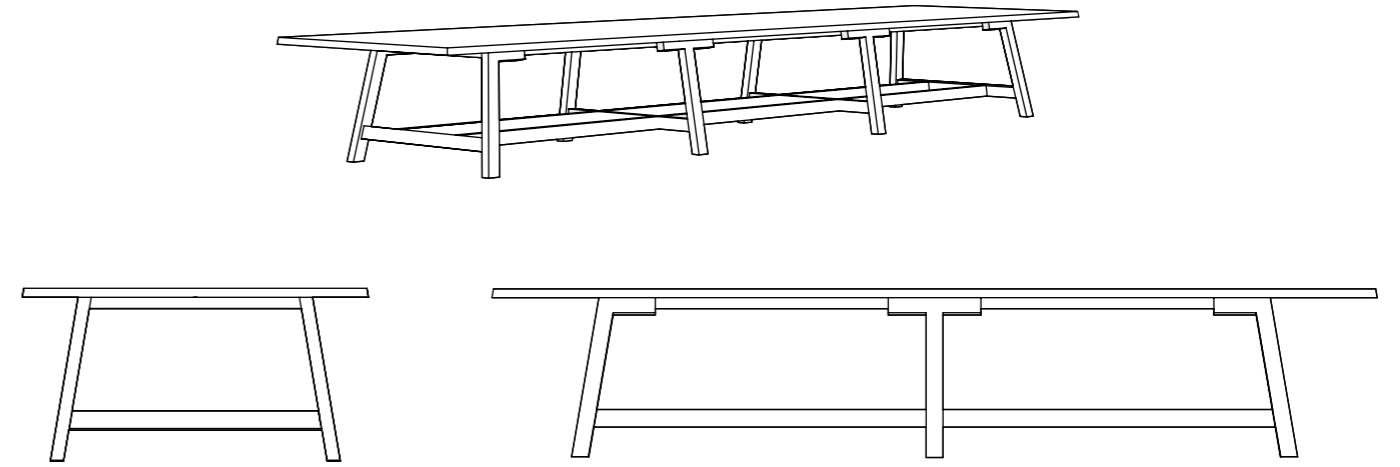


Lenght	Width	Height	Legs	Tabletop(s)	Electrification
340	95/100	76	6	2	Optional
360	95/100	76	6	2	Optional
380	95/100	76	6	2	Optional
400	95/100	76	6	2	Optional
420	95/100	76	6	2	Optional
440	95/100	76	6	2	Optional
480	95/100	76	6	2	Optional
On request					
320	120	76	4/6	1/2	Optional
340	120	76	6	2	Optional
360	120	76	6	2	Optional
380	120	76	6	2	Optional
400	120	76	6	2	Optional
420	120	76	6	2	Optional
440	120	76	6	2	Optional
480	120	76	6	2	Optional

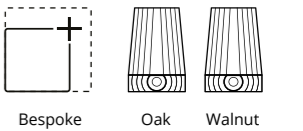
On request



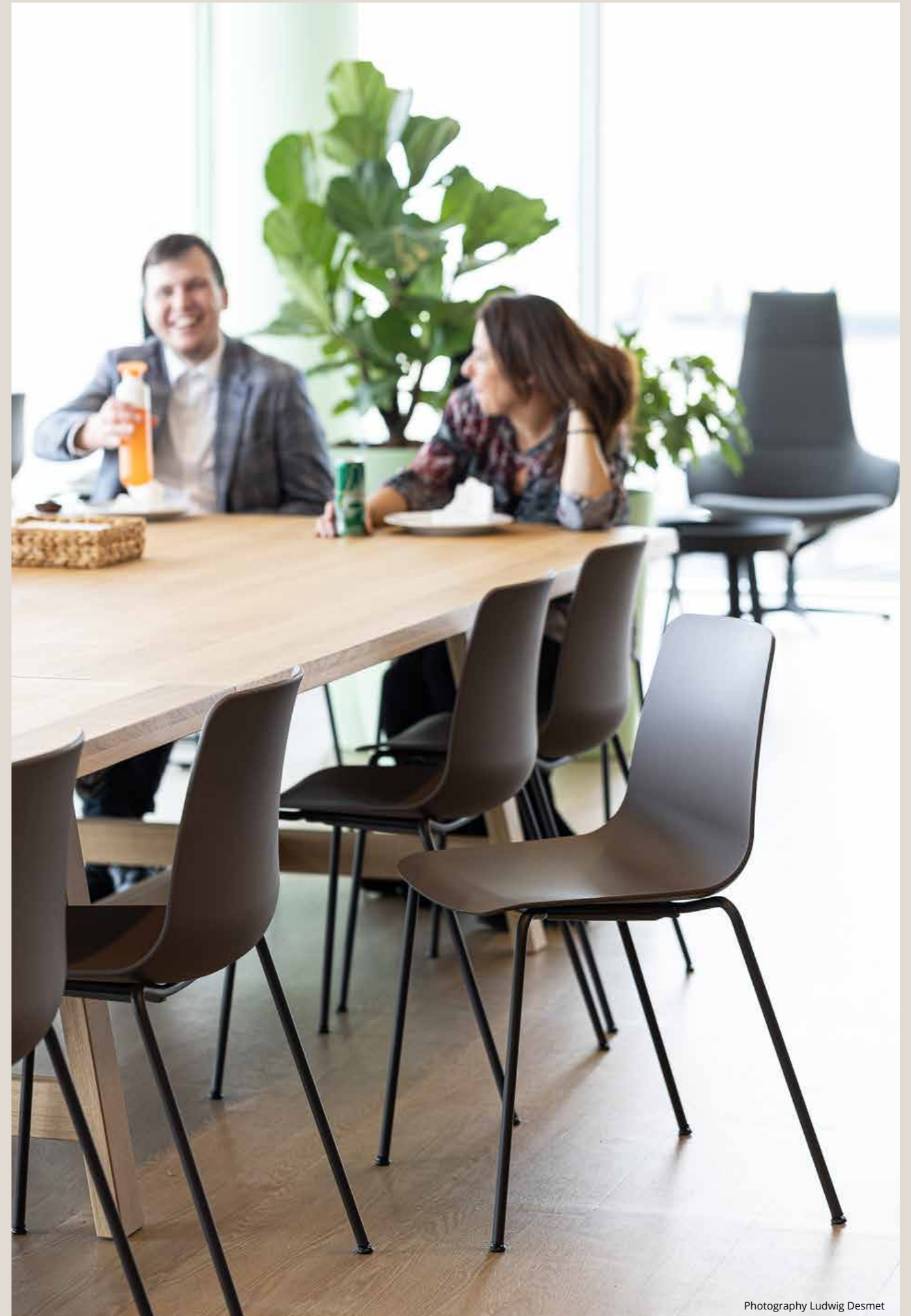
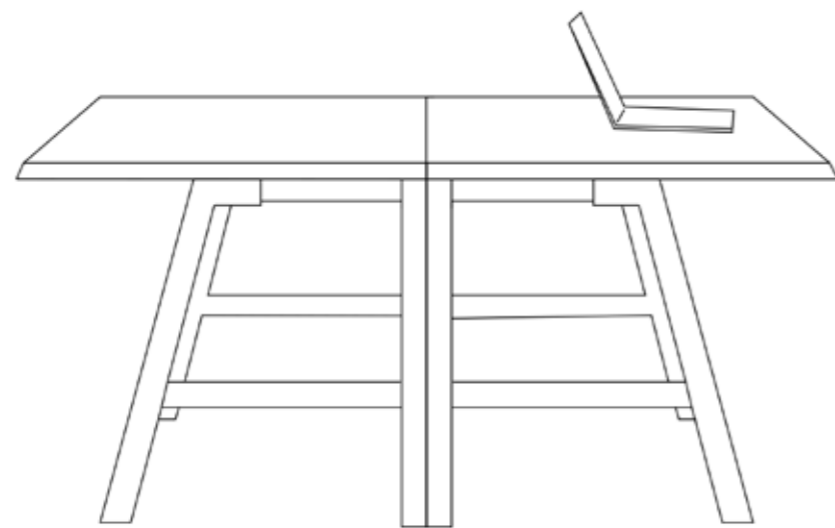
Catwalker Coworking Endless



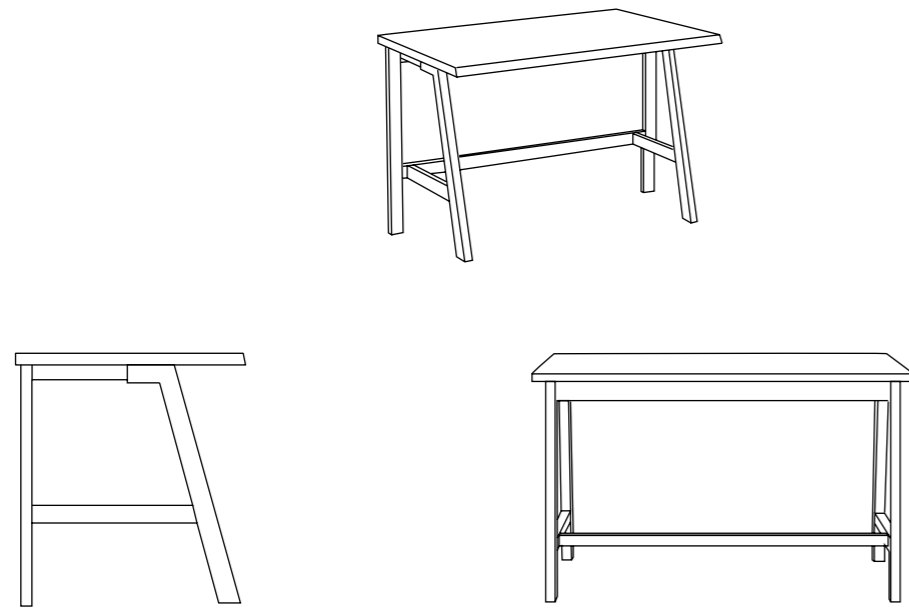
Lenght	Width	Height	Legs + H frame	Tabletop(s)	Electrification
520	120 - 140	76	6	4	Optional
600	120 - 140	76	6	4	Optional
650	120 - 140	76	8	4	Optional
700	120 - 140	76	8	4	Optional
750	120 - 140	76	8	4	Optional
800	120 - 140	76	8	4	Optional
On request					
520	160	76	6	6	Optional
600	160	76	6	6	Optional
650	160	76	8	6	Optional
700	160	76	8	6	Optional
750	160	76	8	6	Optional
800	160	76	8	6	Optional
On request					



CATWALKER DESK & HIGH DESK

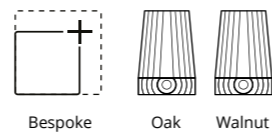


Catwalker Desk

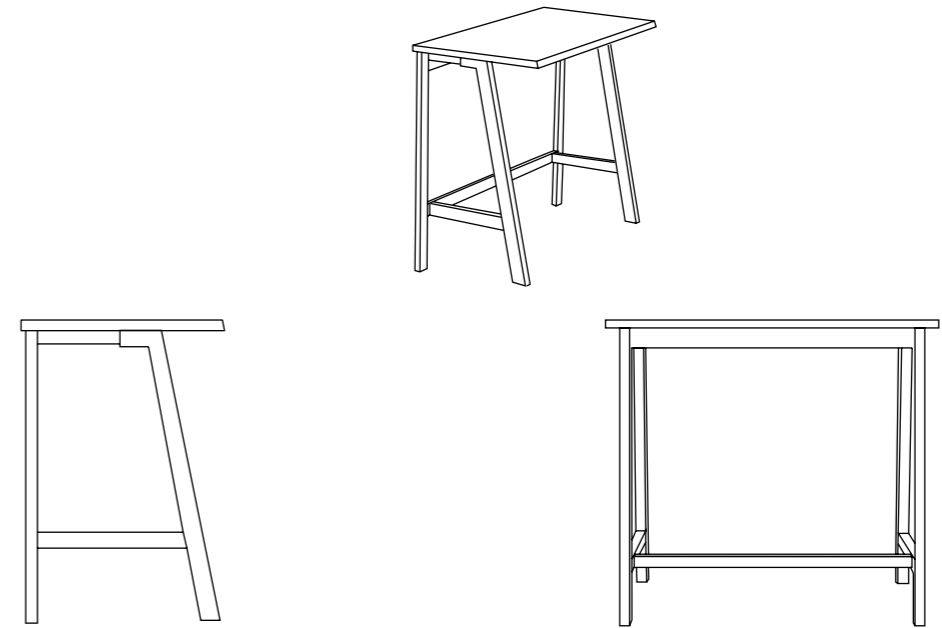


Width	Lenght	Height	Legs + H frame	Tabletop(s)	Electrification
80	120	74/76	4	1	Optional
	140	74/76	4	1	Optional
	160	74/76	4	1	Optional
	180	74/76	4	1	Optional
	200	74/76	4	1	Optional
	220	74/76	4	1	Optional
	240	74/76	4	1	Optional
90	120	74/76	4	1	Optional
	140	74/76	4	1	Optional
	160	74/76	4	1	Optional
	180	74/76	4	1	Optional
	200	74/76	4	1	Optional
	220	74/76	4	1	Optional
	240	74/76	4	1	Optional
100	120	74/76	4	1	Optional
	140	74/76	4	1	Optional
	160	74/76	4	1	Optional
	180	74/76	4	1	Optional
	200	74/76	4	1	Optional
	220	74/76	4	1	Optional
	240	74/76	4	1	Optional

On request

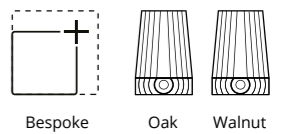


Catwalker High Desk



Width	Lenght	Height	Legs + H frame	Tabletop(s)	Electrification
80	120	90 -110	4	1	Optional
	140	90 -110	4	1	Optional
	160	90 -110	4	1	Optional
	180	90 -110	4	1	Optional
	200	90 -110	4	1	Optional
	220	90 -110	4	1	Optional
	240	90 -110	4	1	Optional
90	120	90 -110	4	1	Optional
	140	90 -110	4	1	Optional
	160	90 -110	4	1	Optional
	180	90 -110	4	1	Optional
	200	90 -110	4	1	Optional
	220	90 -110	4	1	Optional
	240	90 -110	4	1	Optional
100	120	90 -110	4	1	Optional
	140	90 -110	4	1	Optional
	160	90 -110	4	1	Optional
	180	90 -110	4	1	Optional
	200	90 -110	4	1	Optional
	220	90 -110	4	1	Optional
	240	90 -110	4	1	Optional

On request



COSY COMFORT OFFICES

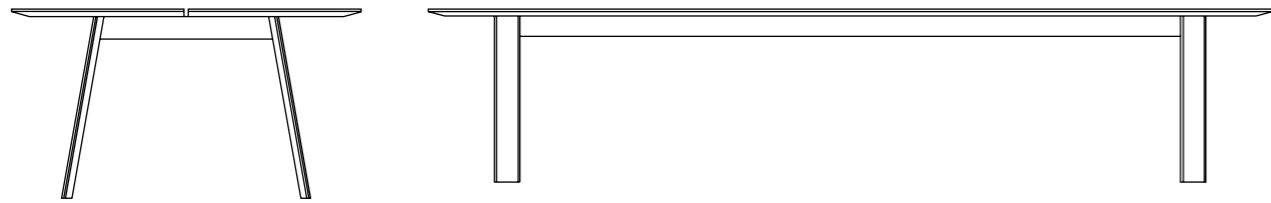


—
TAB
COWORKING





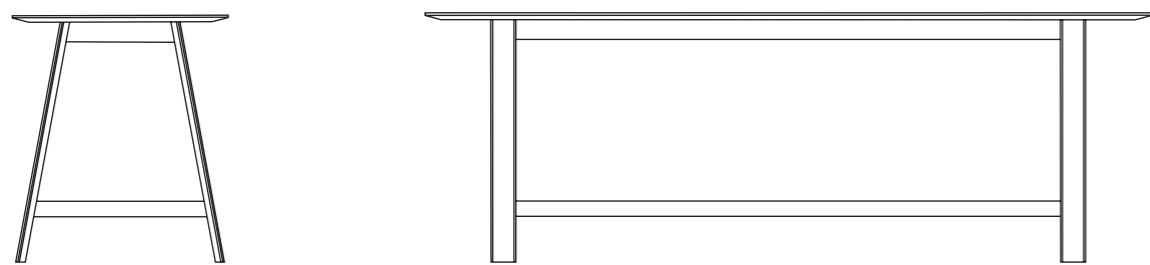
Tab Table



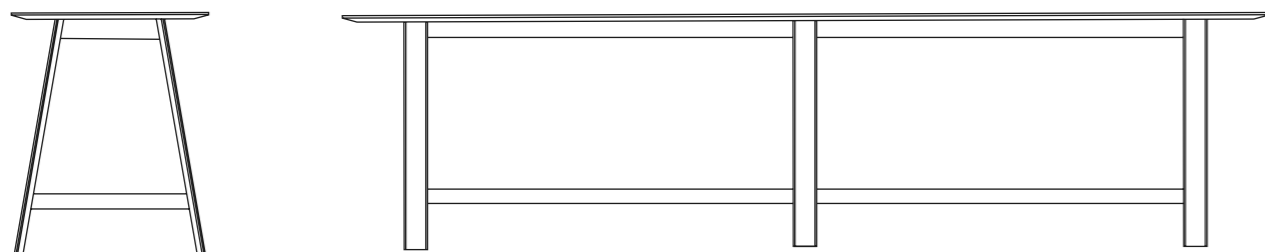
Tab Table Endless



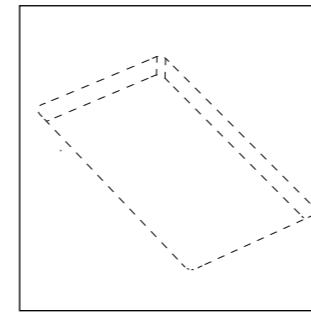
Tab Bar



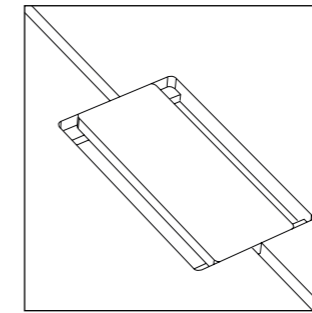
Tab Bar Endless



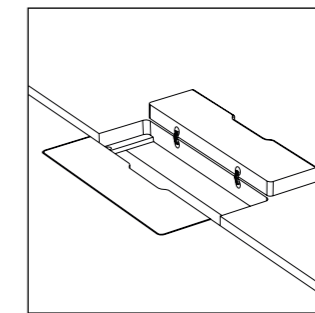
Electrification Wood Options



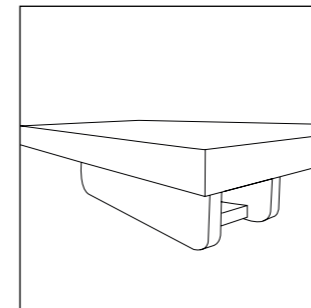
Cut Out



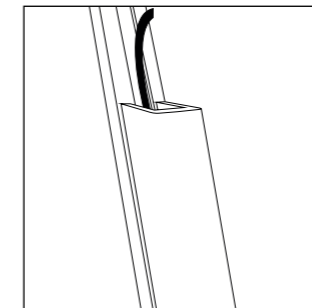
Inlay Panel



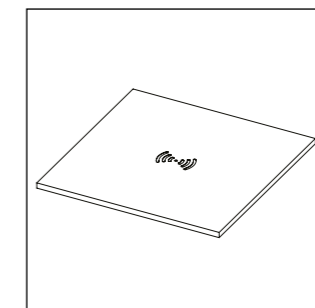
Hinge matching or contrast



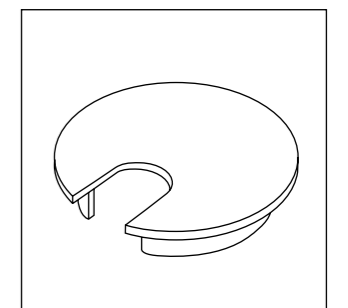
Wooden Cable Canal



Wooden Cable Canal Leg

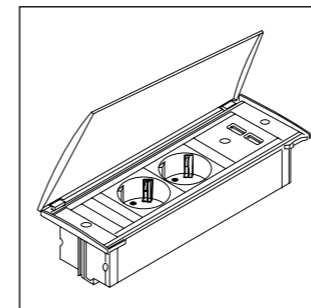


Qi Wireless Charging (Blind)

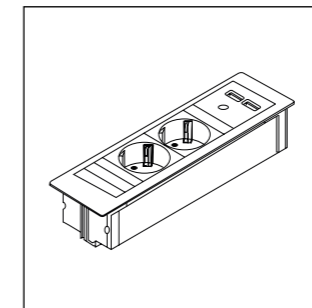


Cable Hole Cover

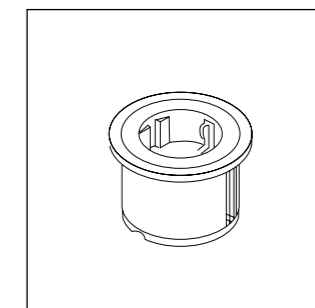
Electrification Options



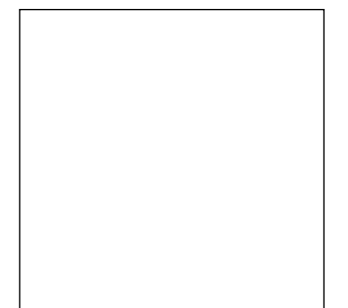
Bachmann Kapsa



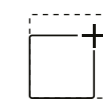
Bachmann Power Frame



Bachmann Pix



Own selection also possible



Bespoke



Solid Oak



Solid Walnut

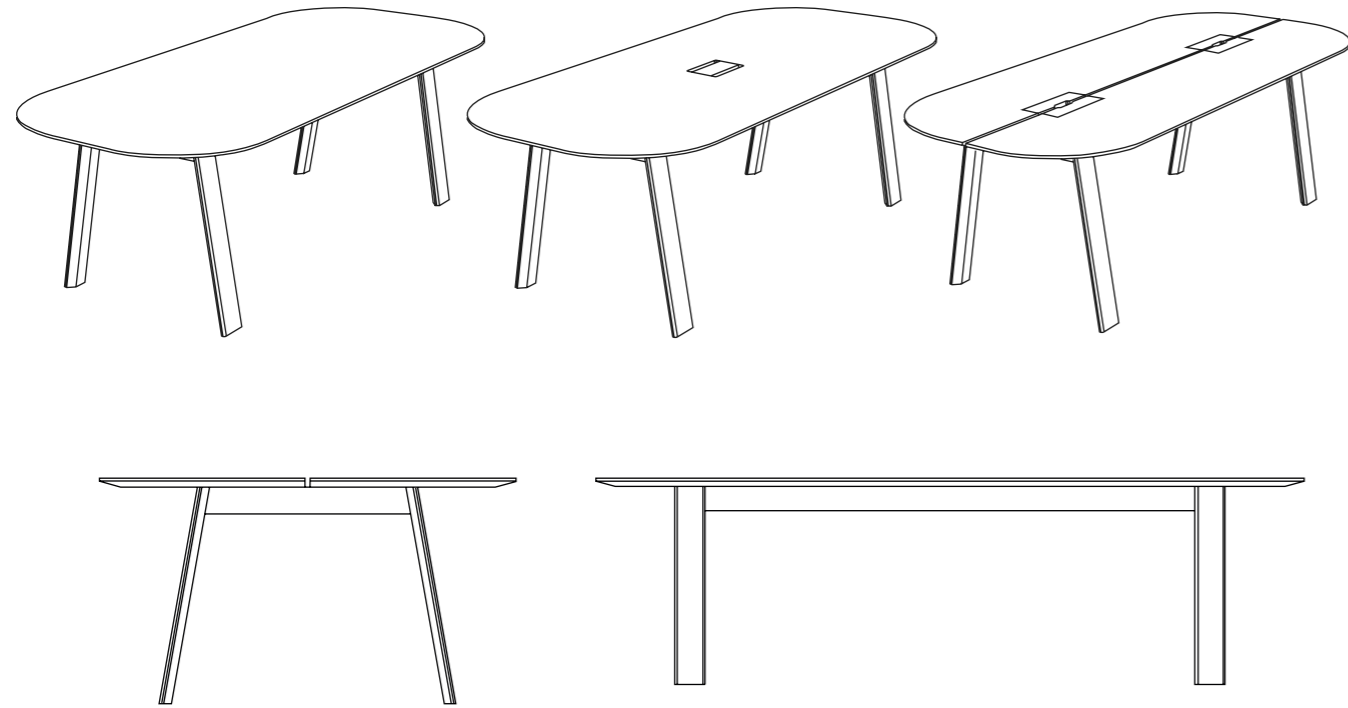


Oak Smoked



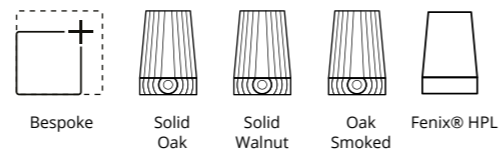
Fenix® HPL

Tab Table

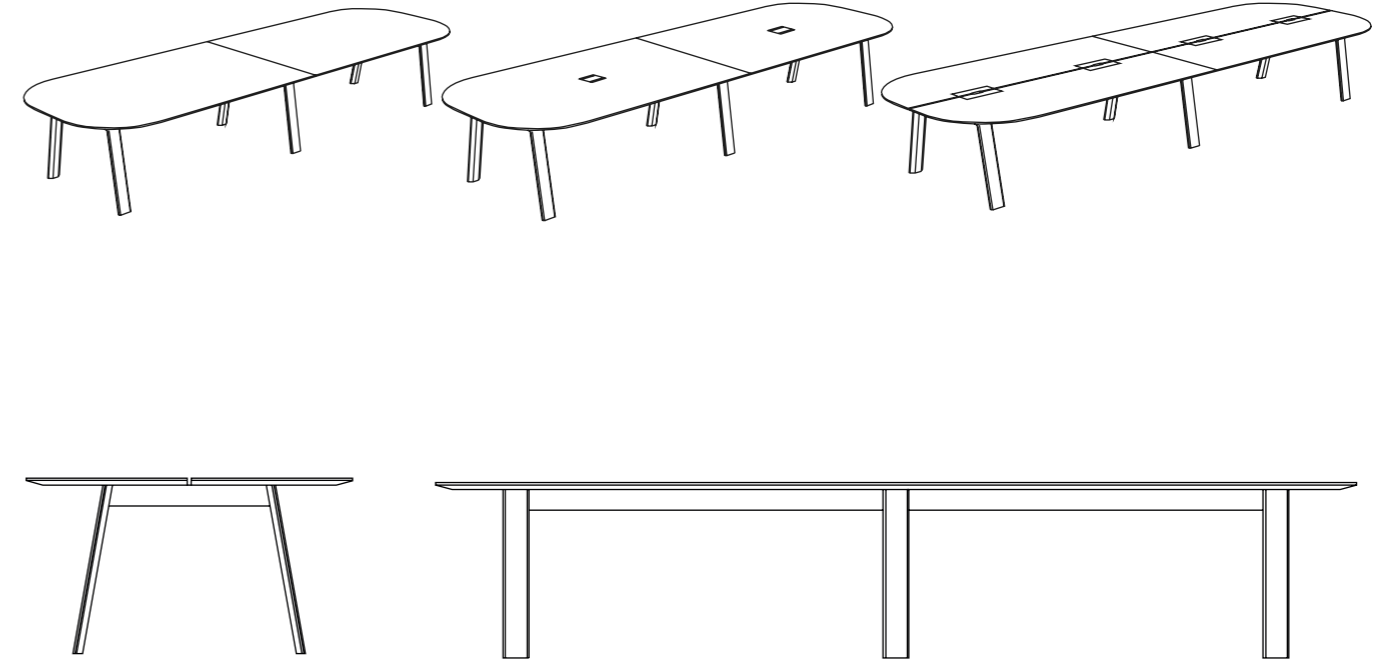


Lenght	Width	Height	Legs	Tabletop(s)	Electrification
160	95 -140	76	4	1	Optional
180	95 -140	76	4	1	Optional
200	95 -140	76	4	1	Optional
220	95 -140	76	4	1	Optional
240	95 -140	76	4	1	Optional
260	95 -140	76	4	1	Optional
280	95 -140	76	4	1	Optional
300	95 -140	76	4	1	Optional
320	95 -140	76	4	1	Optional

On request

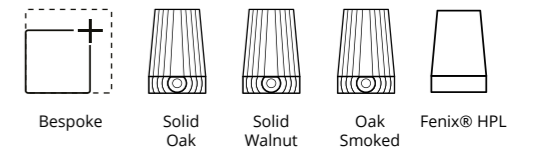


Tab Table Endless

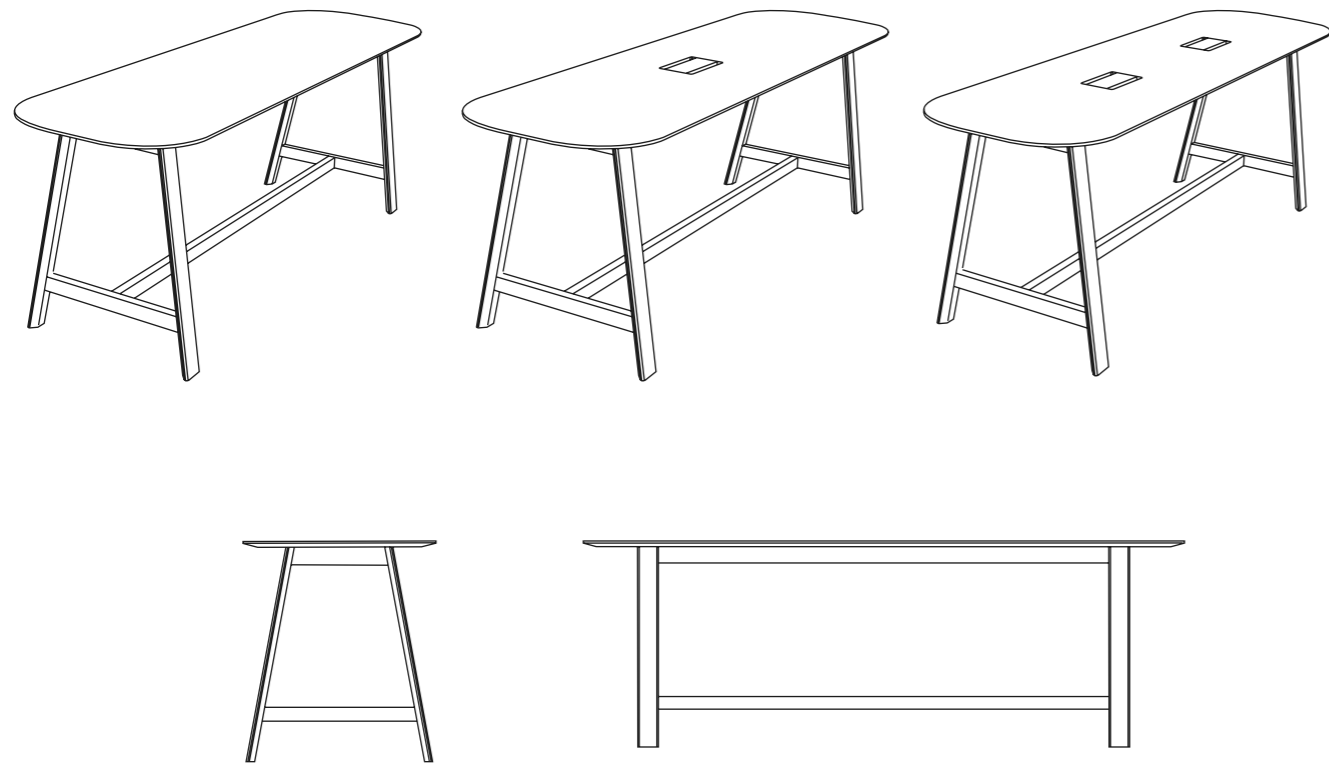


Lenght	Width	Height	Legs	Tabletop(s)	Electrification
340	95 -140	76	6	2/4	Optional
360	95 -140	76	6	2/4	Optional
380	95 -140	76	6	2/4	Optional
400	95 -140	76	6	2/4	Optional
420	95 -140	76	6	2/4	Optional
440	95 -140	76	6	2/4	Optional
460	95 -140	76	6	2/4	Optional
480	95 -140	76	6	2/4	Optional
500	95 -140	76	6	2/4	Optional
520	95 -140	76	6	2/4	Optional
540	95 -140	76	6	2/4	Optional
560	95 -140	76	6	2/4	Optional
580	95 -140	76	6	2/4	Optional
600	95 -140	76	6	2/4	Optional

On request

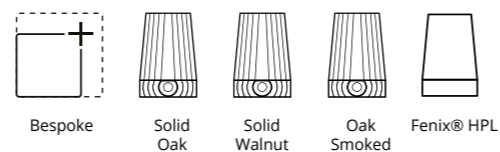


Tab Bar

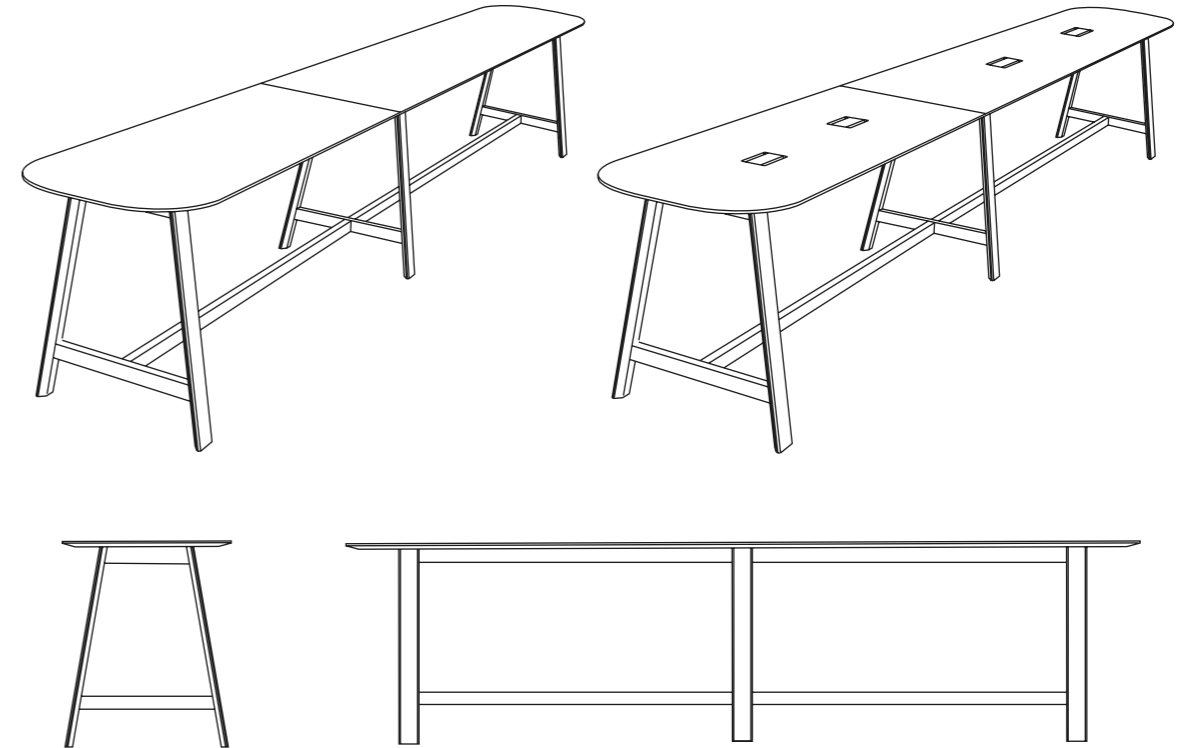


Lenght	Width	Height	Legs + H frame	Tabletop(s)	Electrification
160	75 -120	90 - 110	4	1	Optional
180	75 -120	90 - 110	4	1	Optional
200	75 -120	90 - 110	4	1	Optional
220	75 -120	90 - 110	4	1	Optional
240	75 -120	90 - 110	4	1	Optional
260	75 -120	90 - 110	4	1	Optional
280	75 -120	90 - 110	4	1	Optional
300	75 -120	90 - 110	4	1	Optional
320	75 -120	90 - 110	4	1	Optional

On request

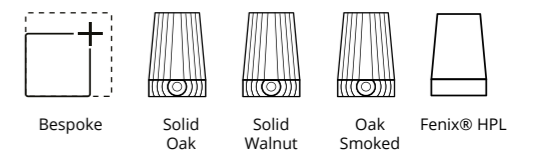


Tab Bar Endless



Lenght	Width	Height	Legs + H frame	Tabletop(s)	Electrification
340	75 -120	90 - 110	6	2/4	Optional
360	75 -120	90 - 110	6	2/4	Optional
380	75 -120	90 - 110	6	2/4	Optional
400	75 -120	90 - 110	6	2/4	Optional
420	75 -120	90 - 110	6	2/4	Optional
440	75 -120	90 - 110	6	2/4	Optional
460	75 -120	90 - 110	6	2/4	Optional
480	75 -120	90 - 110	6	2/4	Optional
500	75 -120	90 - 110	6	2/4	Optional
520	75 -120	90 - 110	6	2/4	Optional
540	75 -120	90 - 110	6	2/4	Optional
560	75 -120	90 - 110	6	2/4	Optional
580	75 -120	90 - 110	6	2/4	Optional
600	75 -120	90 - 110	6	2/4	Optional

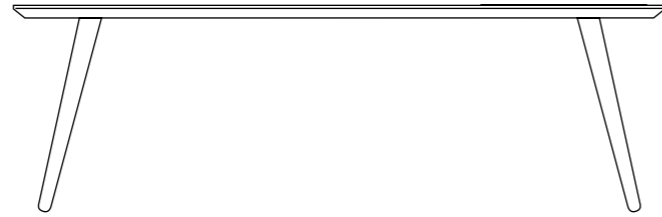
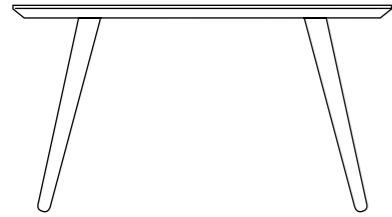
On request



—
CONE
TABLE

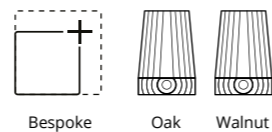


Cone Table

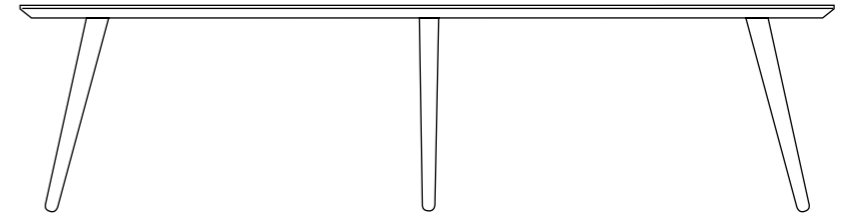
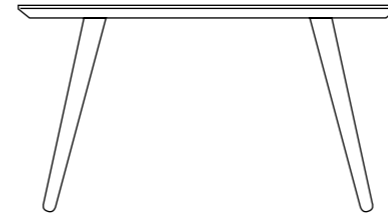


Lenght	Width	Height	Legs	Tabletop(s)	Electrification
160	95 - 100	76	4	1	Optional
180	95 - 100	76	4	1	Optional
200	95 - 100	76	4	1	Optional
220	95 - 100	76	4	1	Optional
240	95 - 100	76	4	1	Optional
260	95 - 100	76	4	1	Optional
280	95 - 100	76	4	1	Optional
300	95 - 100	76	4	1	Optional
320	95 - 100	76	4	1	Optional
160	100 - 120	76	4	1	Optional
180	100 - 120	76	4	1	Optional
200	100 - 120	76	4	1	Optional
220	100 - 120	76	4	1	Optional
240	100 - 120	76	4	1	Optional
260	100 - 120	76	4	1	Optional
280	100 - 120	76	4	1	Optional
300	100 - 120	76	4	1	Optional
320	100 - 120	76	4	1	Optional

On request

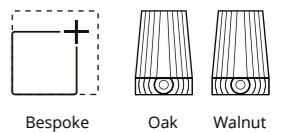


Cone Table Endless

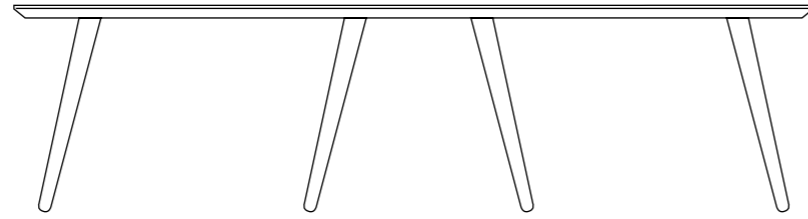
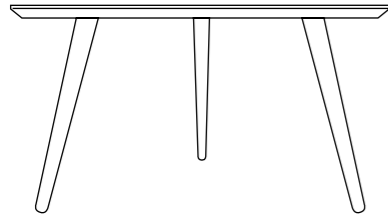


Lenght	Width	Height	Legs	Tabletop(s)	Electrification
340	95 - 100	76	6	2	Optional
360	95 - 100	76	6	2	Optional
380	95 - 100	76	6	2	Optional
400	95 - 100	76	6	2	Optional
420	95 - 100	76	6	2	Optional
440	95 - 100	76	6	2	Optional
480	95 - 100	76	6	2	Optional
340	100 - 120	76	6	2	Optional
360	100 - 120	76	6	2	Optional
380	100 - 120	76	6	2	Optional
400	100 - 120	76	6	2	Optional
420	100 - 120	76	6	2	Optional
440	100 - 120	76	6	2	Optional
480	100 - 120	76	6	2	Optional

On request

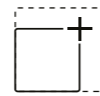


Cone Table Endless



Lenght	Width	Height	Legs	Tabletop(s)	Electrification
340	95 - 100	76	6	2	Optional
360	95 - 100	76	6	2	Optional
380	95 - 100	76	6	2	Optional
400	95 - 100	76	6	2	Optional
420	95 - 100	76	6	2	Optional
440	95 - 100	76	6	2	Optional
480	95 - 100	76	6	2	Optional
340	100 - 120	76	6	2	Optional
360	100 - 120	76	6	2	Optional
380	100 - 120	76	6	2	Optional
400	100 - 120	76	6	2	Optional
420	100 - 120	76	6	2	Optional
440	100 - 120	76	6	2	Optional
480	100 - 120	76	6	2	Optional

On request



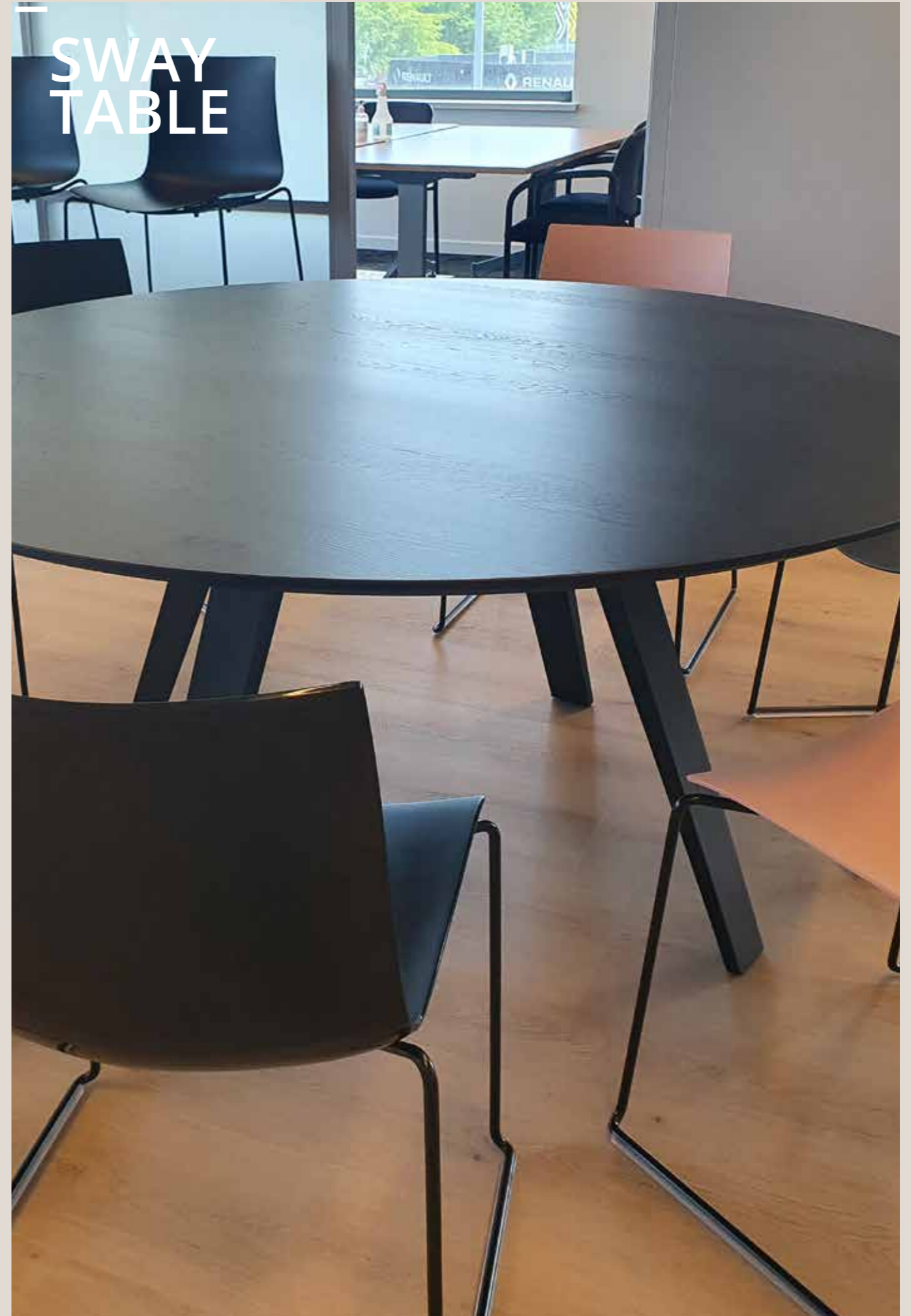
Bespoke



Oak



Walnut



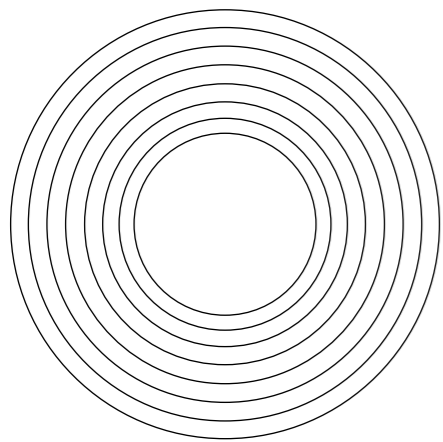
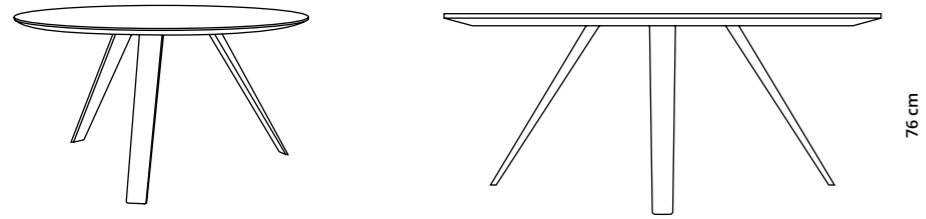
SWAY
TABLE



—
SWAY
BAR SLIM

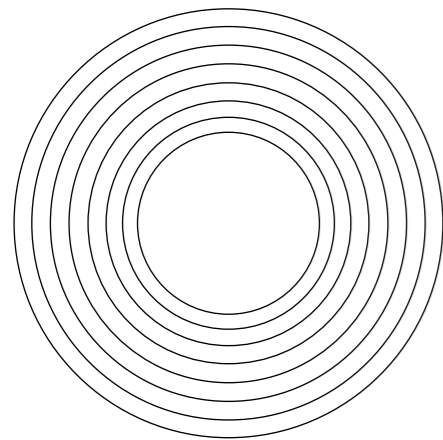
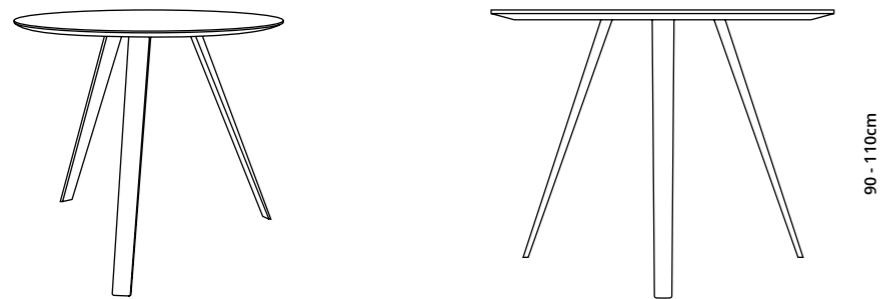


Sway Table Slim



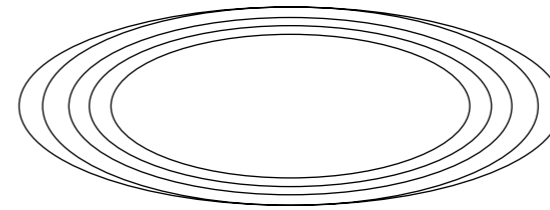
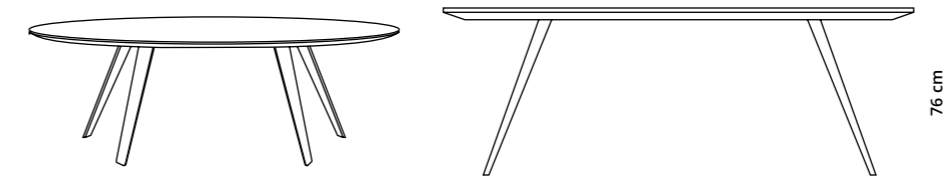
Diameter	Height	Thickness	Tabletop(s)	Legs
Ø 90	76	3	1	3
Ø 100	76	3	1	3
Ø 120	76	3	1	3
Ø 130	76	3	1	3
Ø 140	76	3	1	3
Ø 150	76	3	1	3
Ø 160	76	3	1	4
Ø 180	76	3	1	4
Ø 200	76	3	1	4
Ø 240	76	3	2	5
On request				

Sway Bar Slim

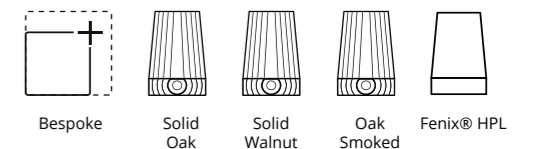


Diameter	Height	Thickness	Tabletop(s)	Legs
Ø 90	90-110	3	1	3
Ø 100	90-110	3	1	3
Ø 120	90-110	3	1	3
Ø 130	90-110	3	1	3
Ø 140	90-110	3	1	3
Ø 150	90-110	3	1	3
Ø 160	90-110	3	1	4
Ø 180	90-110	3	1	4
On request				

Sway Oval Slim

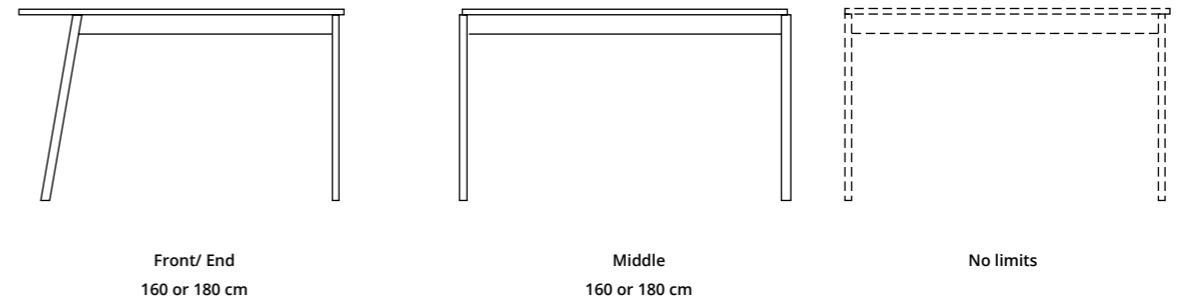
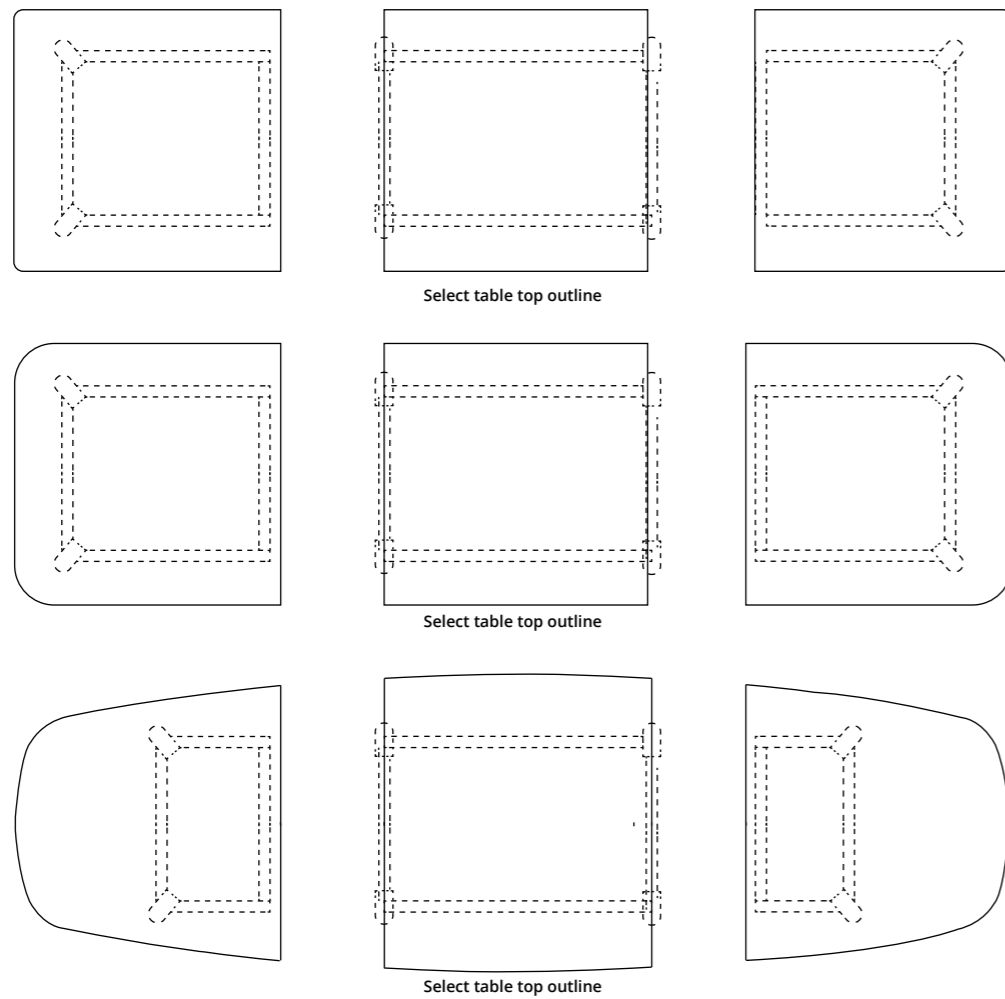
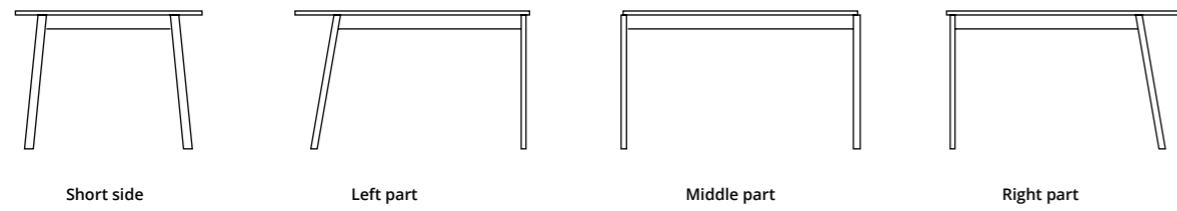


Length	Width	Height	Thickness	Tabletop(s)	Legs
180	90	76	3	1	4
200	90	76	3	1	4
220	90	76	3	1	4
240	90	76	3	1	4
260	90	76	3	1	4
280	90	76	3	1	4
300	90	76	3	1	4
180	100	76	3/4	1	4
200	100	76	3/4	1	4
220	100	76	3/4	1	4
240	100	76	3/4	1	4
260	100	76	3/4	1	4
280	100	76	3/4	1	4
300	100	76	3/4	1	4
180	120	76	3/4	1	4
200	120	76	3/4	1	4
220	120	76	3/4	1	4
240	120	76	3/4	1	4
260	120	76	3/4	1	4
280	120	76	3/4	1	4
300	120	76	3/4	1	4
180	130	76	3/4	1	4
200	130	76	3/4	1	4
220	130	76	3/4	1	4
240	130	76	3/4	1	4
260	130	76	3/4	1	4
280	130	76	3/4	1	4
300	130	76	3/4	1	4
360	140	76	3/4	2	6
420	140	76	3/4	2	6
480	140	76	3/4	2	6
600	140	76	3/4	2/4	6
On request					

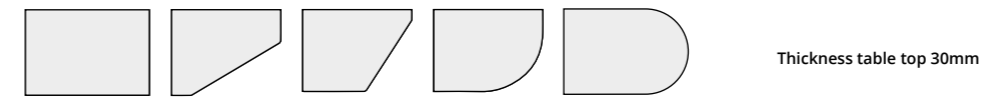


—
**WOODWORK
DESK SERIES ENDLESS**

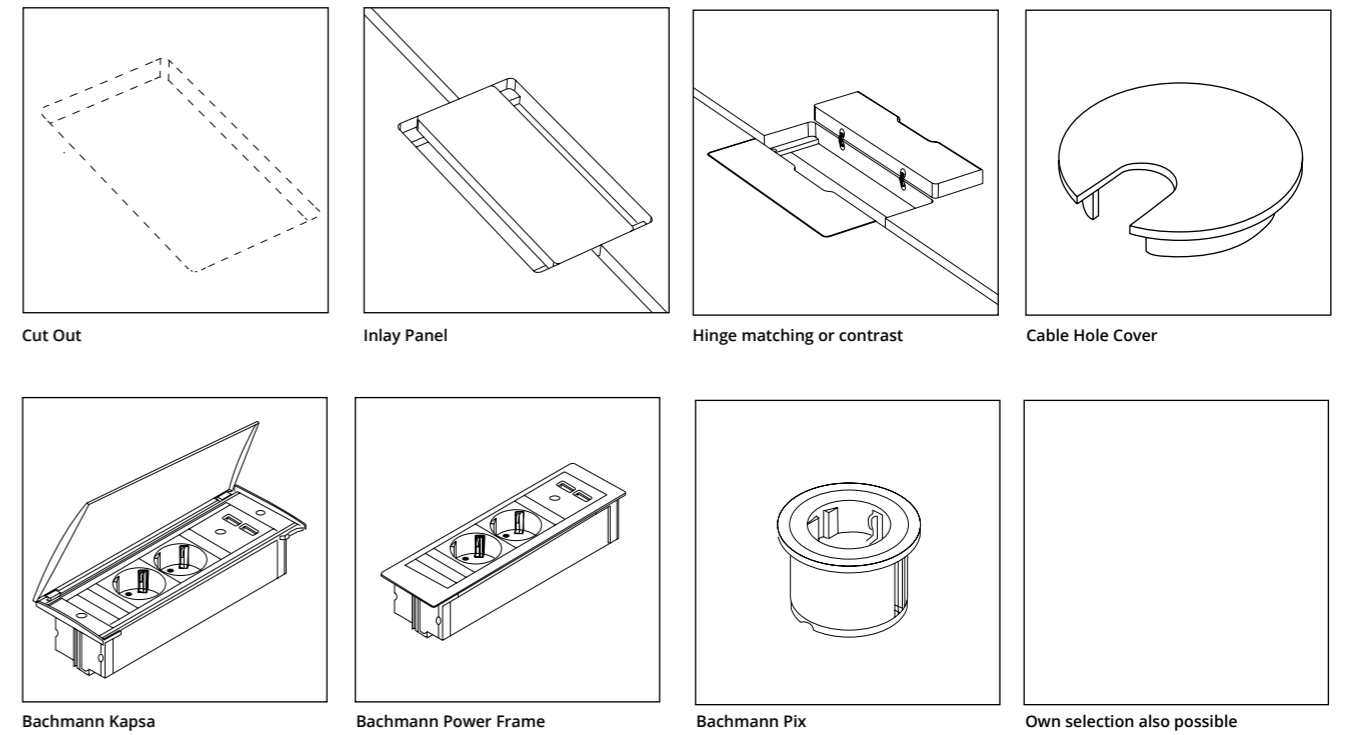




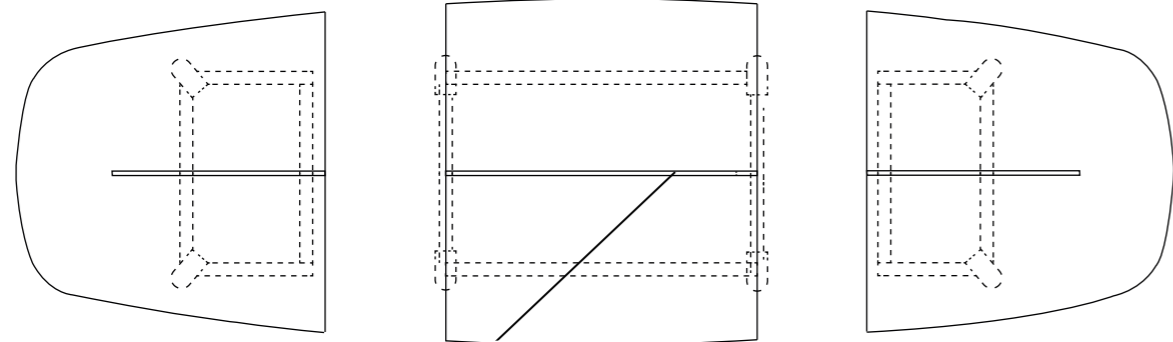
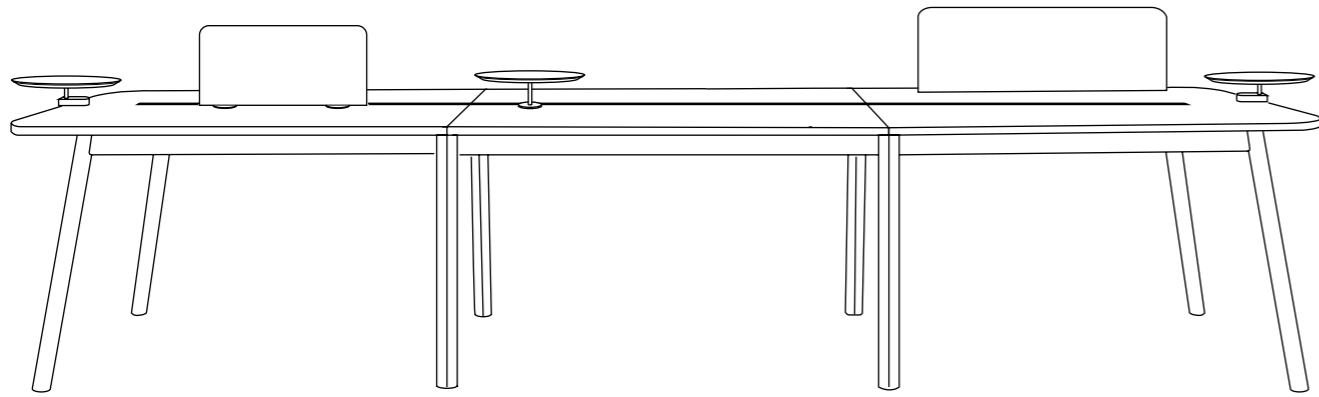
Edge Finish



Electrification Wood Options



Woodwork Accessories

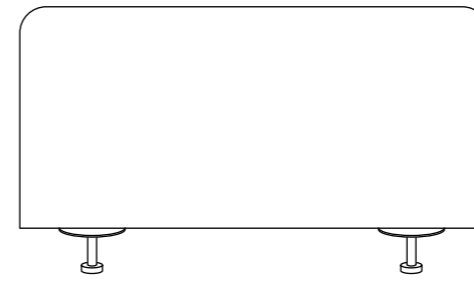


Leaf add

Clamp Collection Base

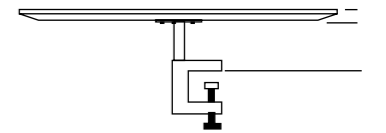
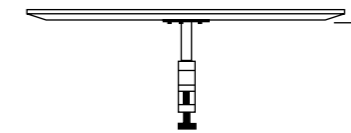
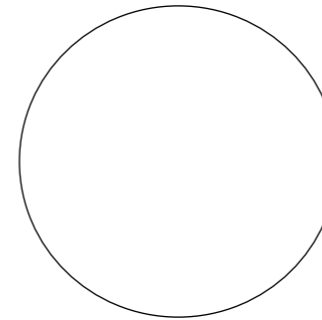
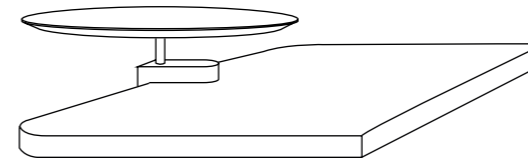


Clamp Collection Workplace Divider

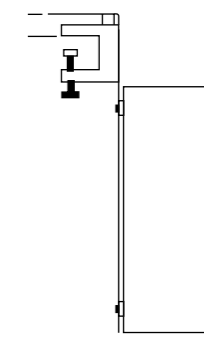
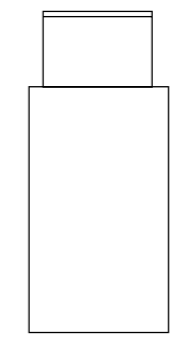
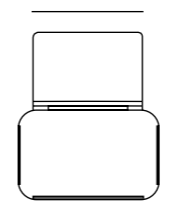


Central Divider

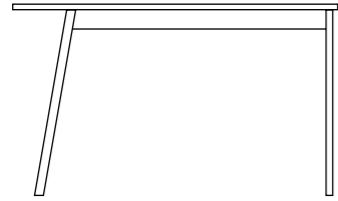
Clamp Collection Extra table



Clamp Collection Bin



Woodwork Front/ end part

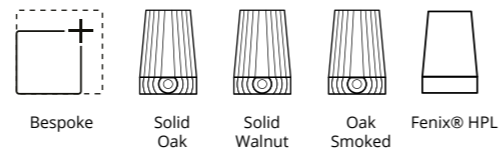


Lenght	Width	Height	Thickness	Tabletop(s)	Legs
160	100	75	3	1	4
160	120	75	3	1	4
180	100	75	3	1	4
180	120	75	3	1	4
On request					

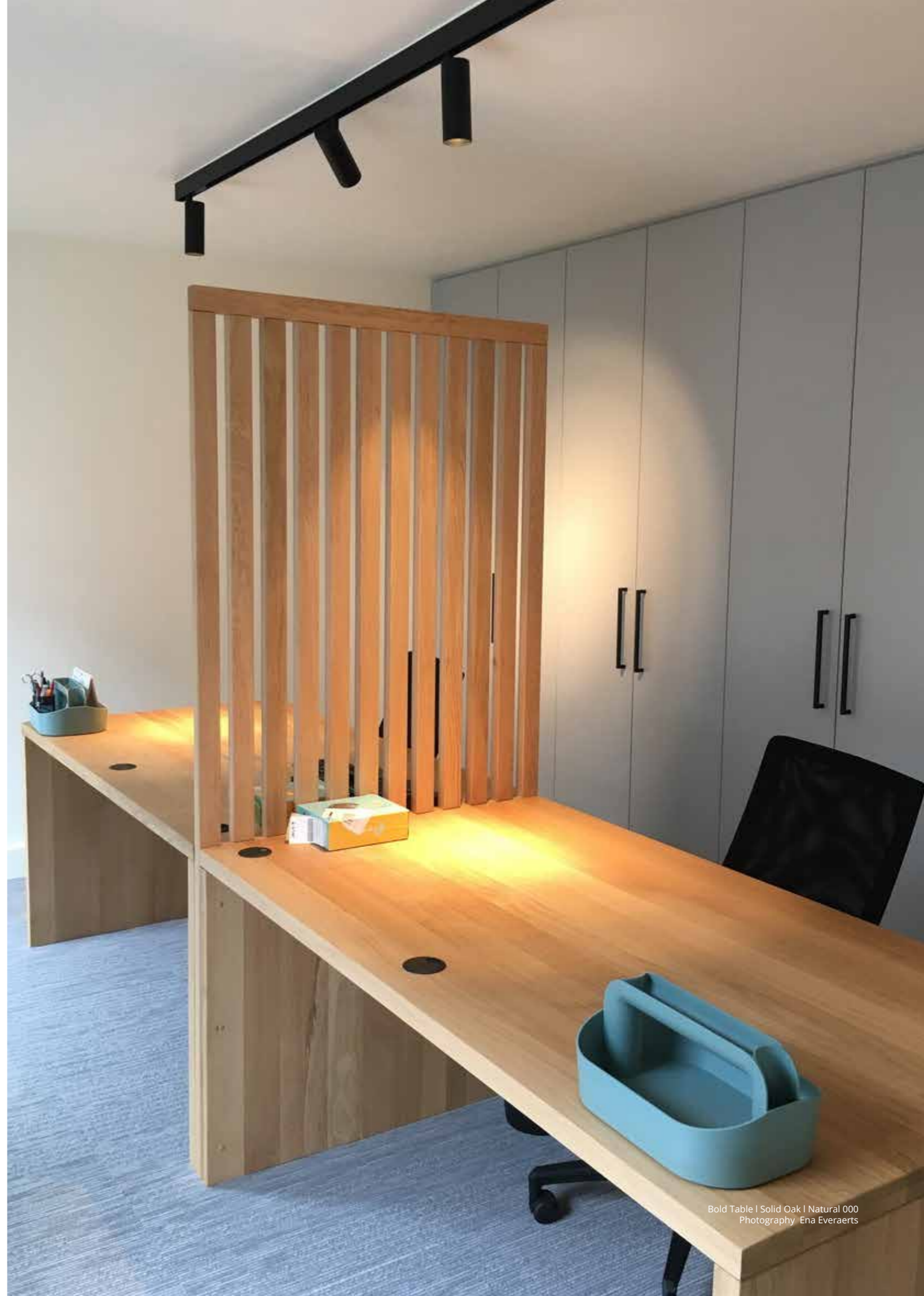
Woodwork Middle part



Lenght	Width	Height	Thickness	Tabletop(s)	Legs
160	100	75	3	1	4
160	120	75	3	1	4
180	100	75	3	1	4
180	120	75	3	1	4
On request					

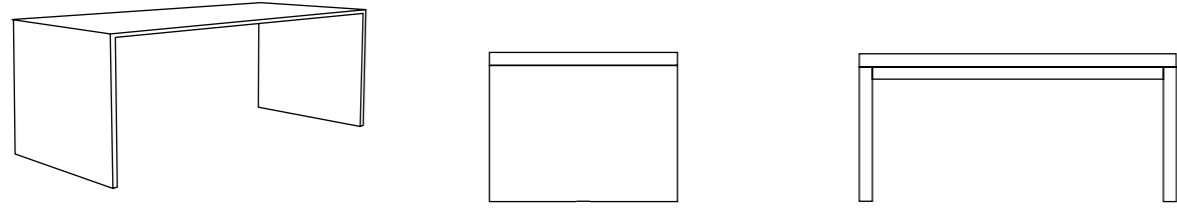


**BOLD
ENDLESS**

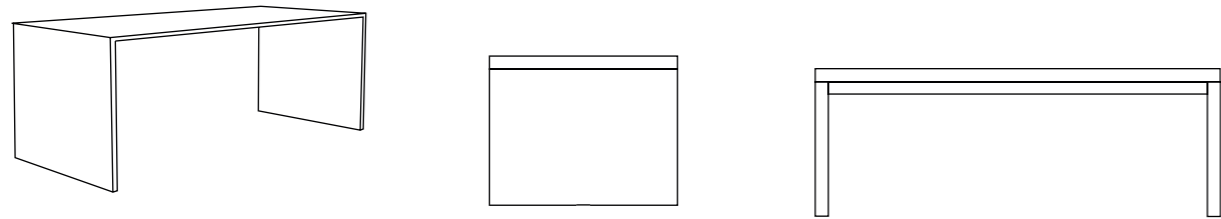


Bold Table | Solid Oak | Natural 000
Photography: Ena Everaerts

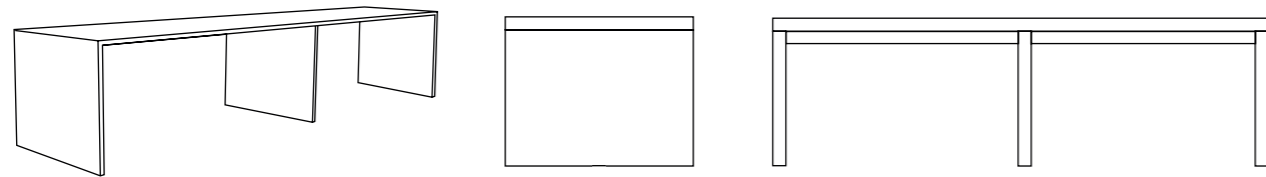
Bold Desk



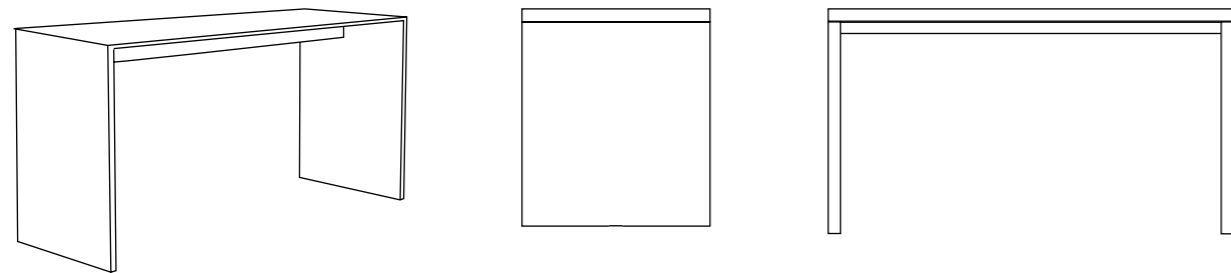
Bold Table



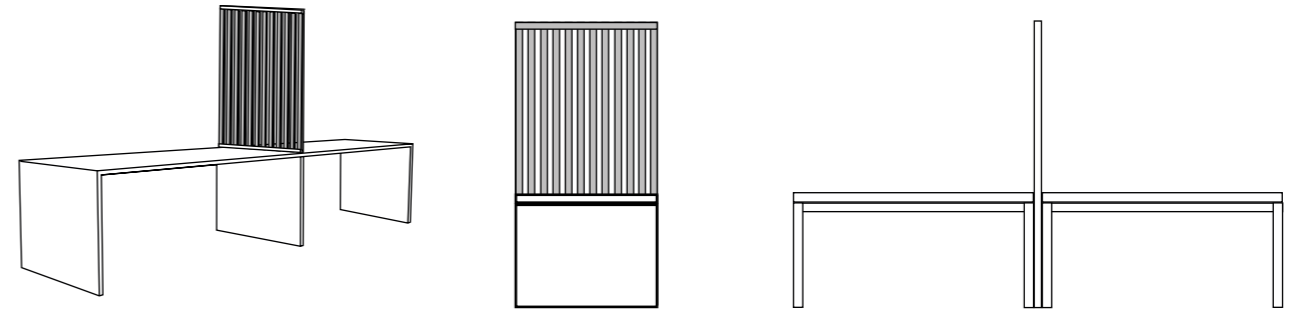
Bold Table Endless



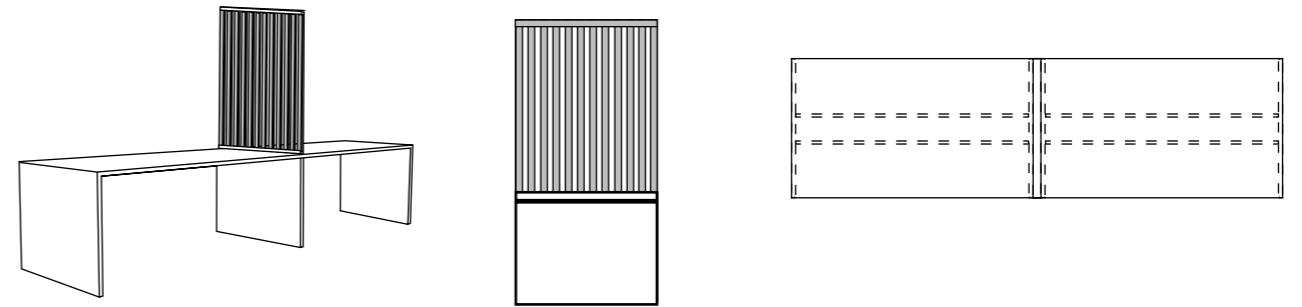
Bold High Table



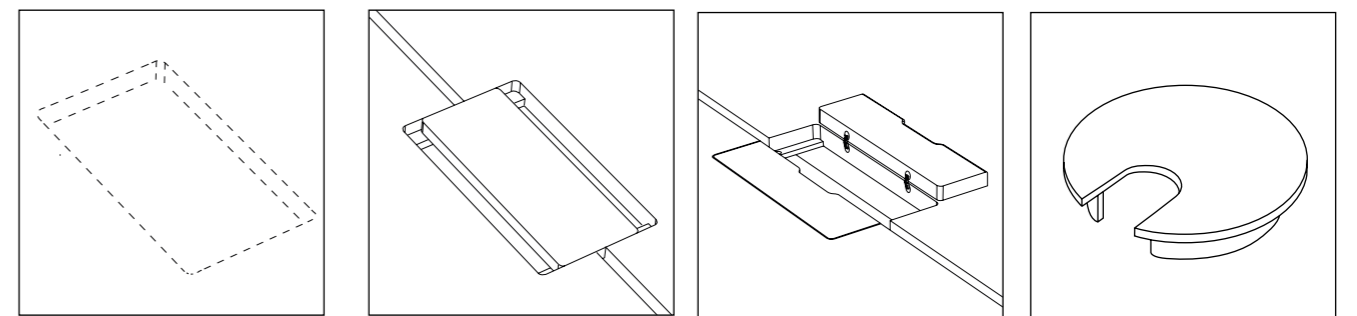
Bold Table Screen



Bold Table Electrification



Electrification Wood Options

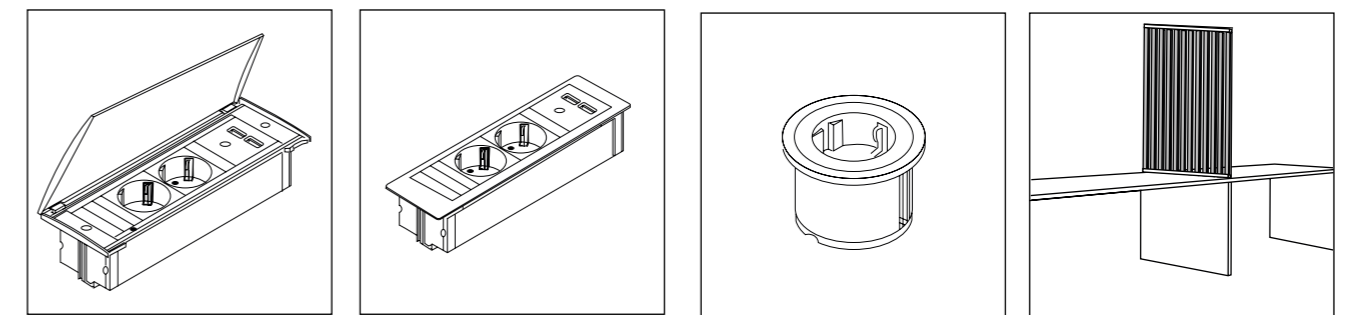


Cut Out

Inlay Panel

Hinge matching or contrast

Cable Hole Cover (Solid Brass)

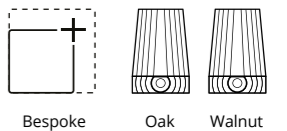


Bachmann Kapsa

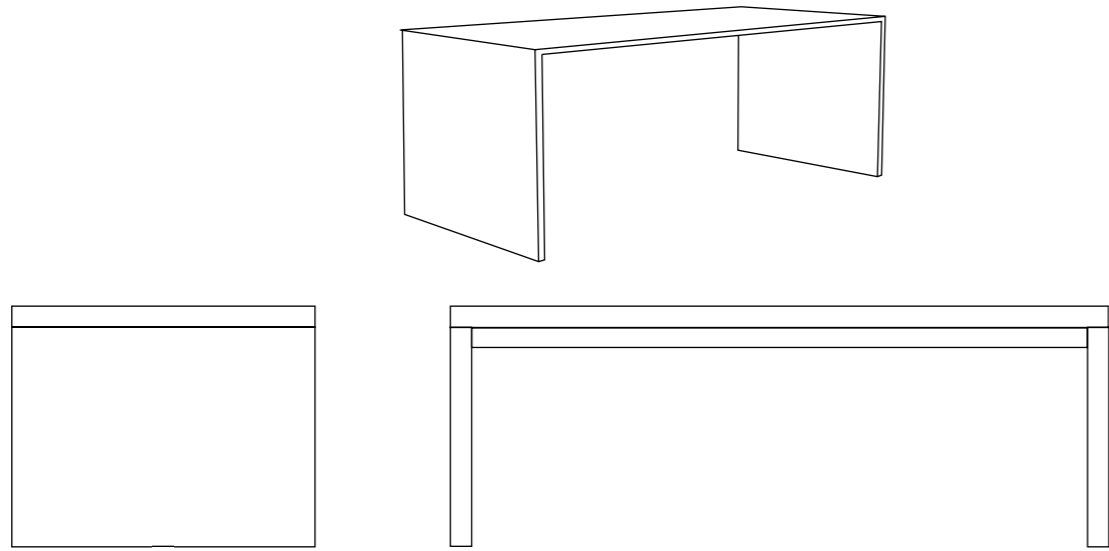
Bachmann Power Frame

Bachmann Pix

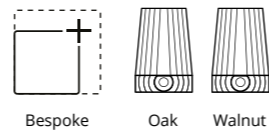
Cable canal integrated in slats



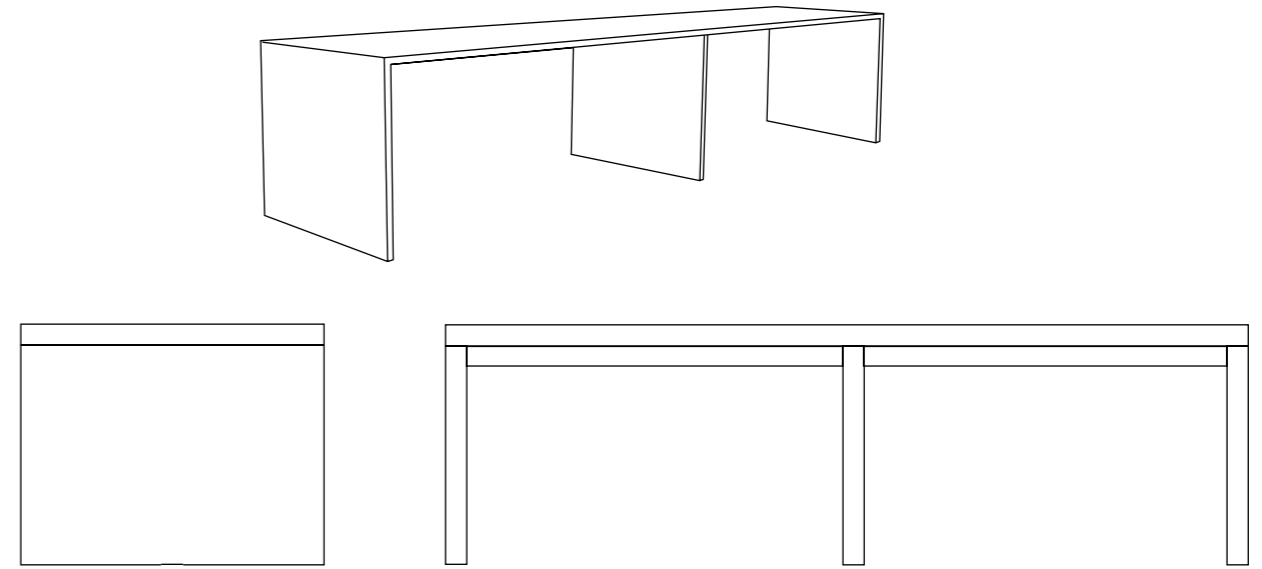
Bold Table



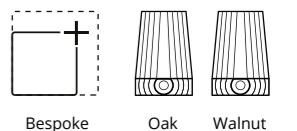
Lenght	Width	Height	Legs	Tabletop(s)	Electrification
160	80	74 - 76	2	1	Optional
180	80	74 - 76	2	1	Optional
200	80	74 - 76	2	1	Optional
240	80	74 - 76	2	1	Optional
280	80	74 - 76	2	1	Optional
300	80	74 - 76	2	1	Optional
160	100	74 - 76	2	1	Optional
180	100	74 - 76	2	1	Optional
200	100	74 - 76	2	1	Optional
240	100	74 - 76	2	1	Optional
280	100	74 - 76	2	1	Optional
300	100	74 - 76	2	1	Optional
200	120	74 - 76	2	1	Optional
240	120	74 - 76	2	1	Optional
280	120	74 - 76	2	1	Optional
300	120	74 - 76	2	1	Optional
On request					



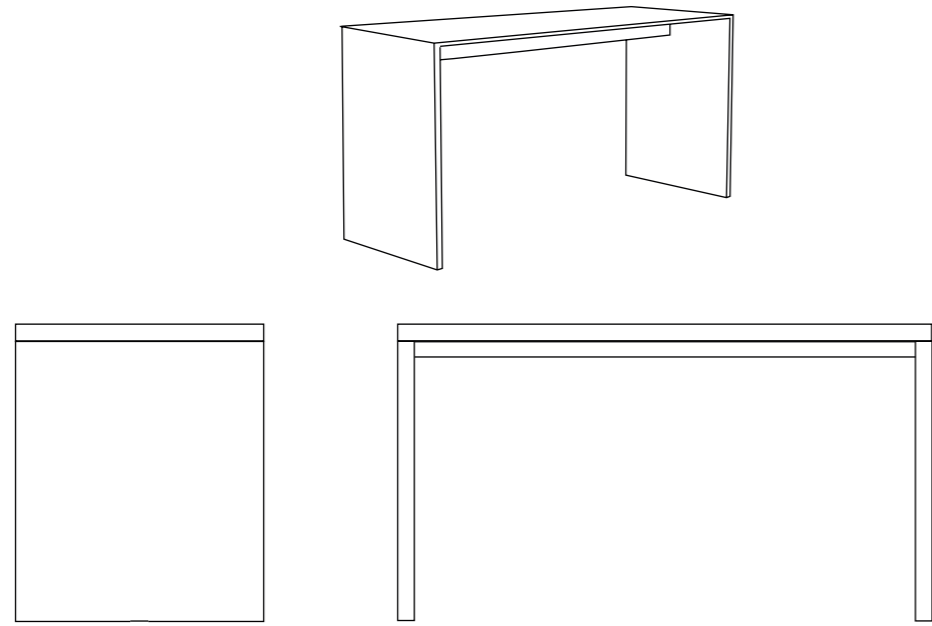
Bold Table Endless



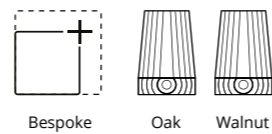
Lenght	Width	Height	Legs	Tabletop(s)	Electrification
340	80	74 - 76	3	2	Optional
400	80	74 - 76	3	2	Optional
480	80	74 - 76	3	2	Optional
520	80	74 - 76	3	2	Optional
320	100	74 - 76	3	2	Optional
340	100	74 - 76	3	2	Optional
400	100	74 - 76	3	2	Optional
440	100	74 - 76	3	2	Optional
480	100	74 - 76	3	2	Optional
520	100	74 - 76	3	2	Optional
340	120	74 - 76	3	2	Optional
400	120	74 - 76	3	2	Optional
480	120	74 - 76	3	2	Optional
520	120	74 - 76	3	2	Optional
On request					



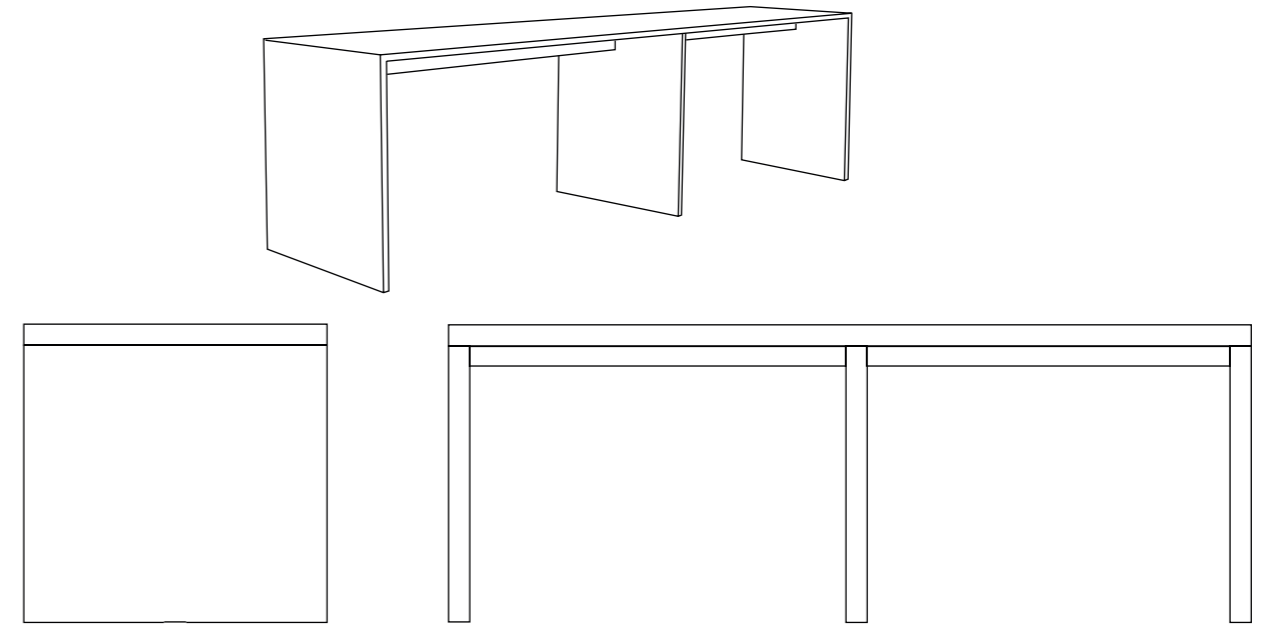
Bold Bar



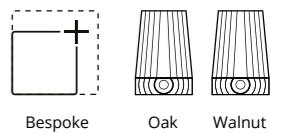
Lenght	Width	Height	Legs	Tabletop(s)	Electrification
160	80	90 - 110	2	1	Optional
180	80	90 - 110	2	1	Optional
200	80	90 - 110	2	1	Optional
240	80	90 - 110	2	1	Optional
280	80	90 - 110	2	1	Optional
300	80	90 - 110	2	1	Optional
160	100	90 - 110	2	1	Optional
180	100	90 - 110	2	1	Optional
200	100	90 - 110	2	1	Optional
240	100	90 - 110	2	1	Optional
280	100	90 - 110	2	1	Optional
300	100	90 - 110	2	1	Optional
200	120	90 - 110	2	1	Optional
240	120	90 - 110	2	1	Optional
280	120	90 - 110	2	1	Optional
300	120	90 - 110	2	1	Optional
On request					



Bold Bar Endless



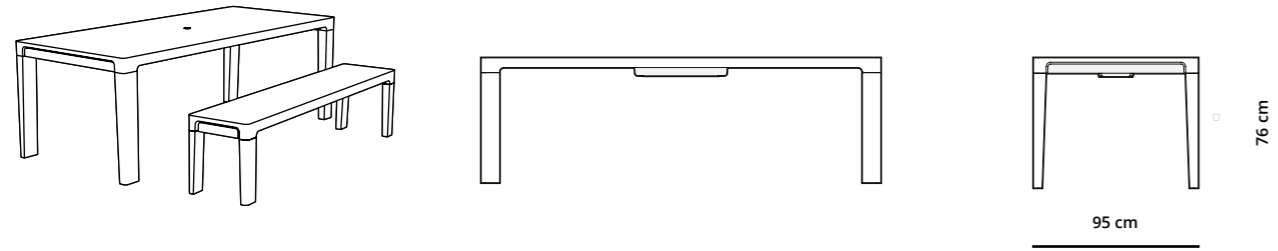
Lenght	Width	Height	Legs	Tabletop(s)	Electrification
340	80	90 - 110	3	2	Optional
400	80	90 - 110	3	2	Optional
480	80	90 - 110	3	2	Optional
520	80	90 - 110	3	2	Optional
On request					



—
SHIFT
TABLE

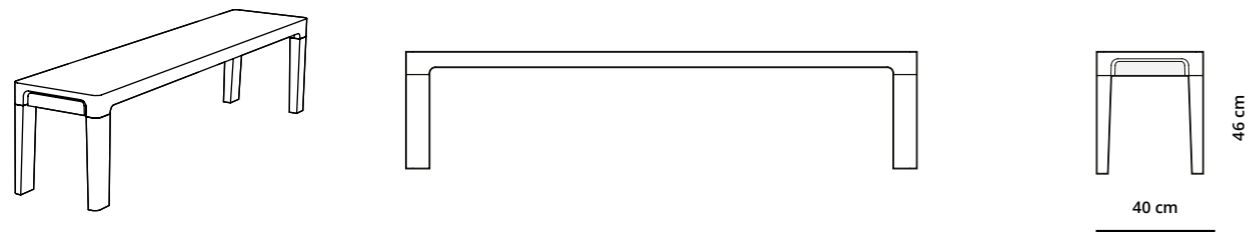


Shift Table



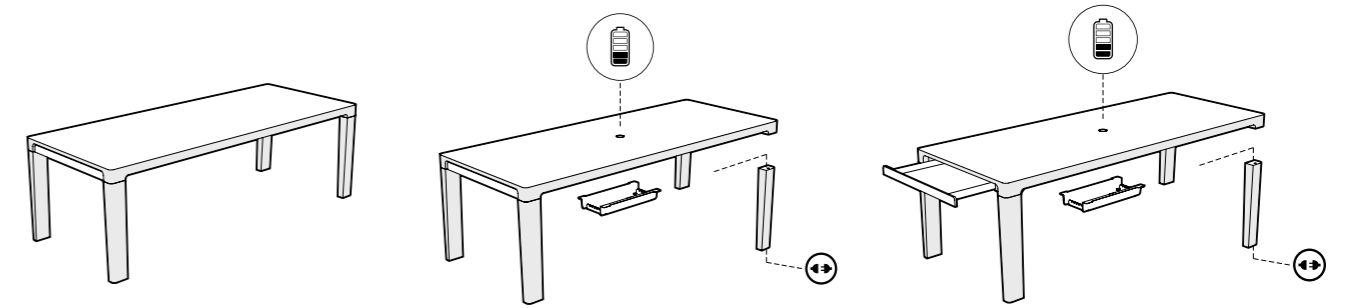
Lenght	Width	Height	Legs	Tabletop(s)	Electrification
180	95	76	4	1	Optional
200	95	76	4	1	Optional
220	95	76	4	1	Optional
240	95	76	4	1	Optional
260	95	76	4	1	Optional
280	95	76	4	1	Optional
300	95	76	4	1	Optional
320	95	76	4	1	Optional
On request					

Shift Bench



Lenght	Width	Height	Legs	Seating top(s)
140	40	46	4	1
150	40	46	4	1
170	40	46	4	1
190	40	46	4	1
200	40	46	4	1
210	40	46	4	1
On request				

Shift Configurations



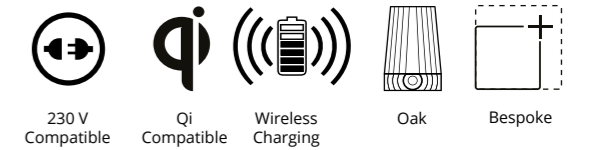
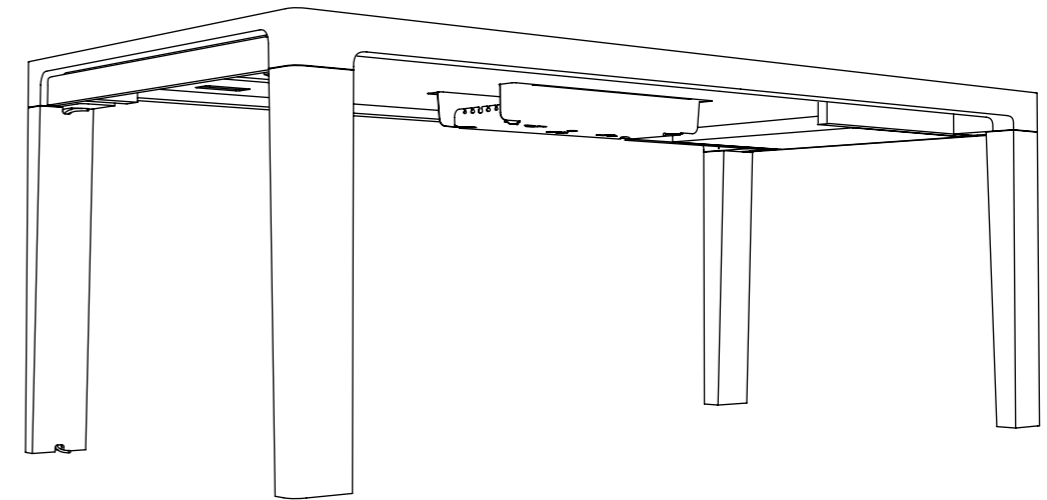
Drawer
1 or 2 side drawer (soft closing)

Tech
Wireless fast charging station
Cable leg slot, cable hub

Tech complete
1 or 2 side drawer (soft closing)
Wireless fast charging station
Cable leg slot, cable hub



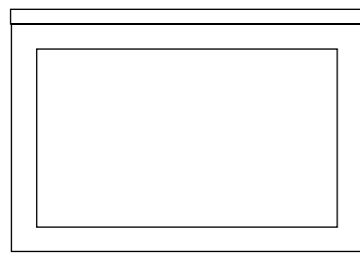
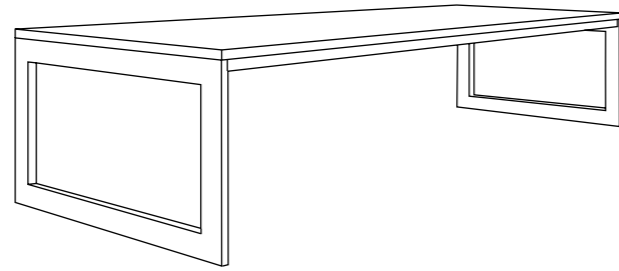
Qi Wireless Charging
All Qi certified smartphones models are compatible.



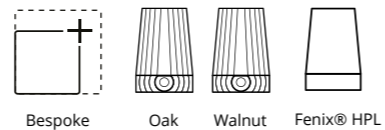
—
**FOLLOWUP
SERIES**



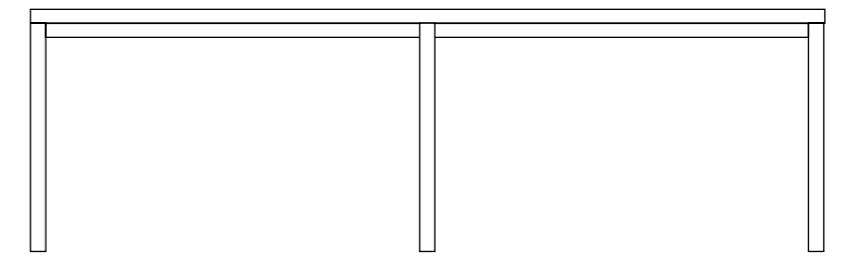
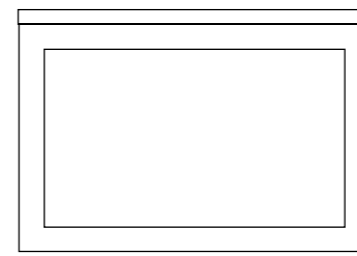
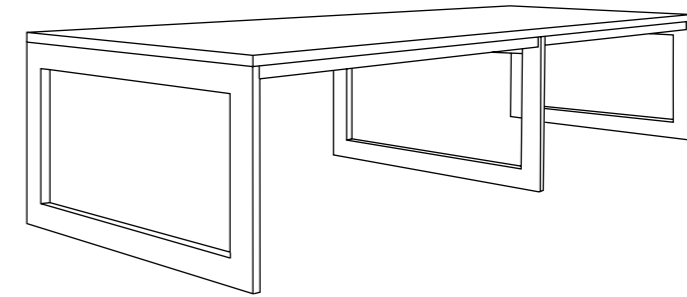
FollowUp Table



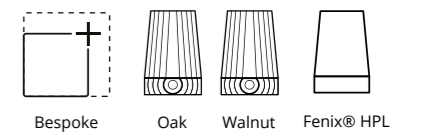
Lenght	Width	Height	Legs	Tabletop(s)	Electrification
160	80	74 - 76	2	1	Optional
180	80	74 - 76	2	1	Optional
200	80	74 - 76	2	1	Optional
240	80	74 - 76	2	1	Optional
280	80	74 - 76	2	1	Optional
300	80	74 - 76	2	1	Optional
160	100	74 - 76	2	1	Optional
180	100	74 - 76	2	1	Optional
200	100	74 - 76	2	1	Optional
240	100	74 - 76	2	1	Optional
280	100	74 - 76	2	1	Optional
300	100	74 - 76	2	1	Optional
200	120	74 - 76	2	1	Optional
240	120	74 - 76	2	1	Optional
280	120	74 - 76	2	1	Optional
300	120	74 - 76	2	1	Optional
On request					



FollowUp Table Endless



Lenght	Width	Height	Legs	Tabletop(s)	Electrification
340	80	74 - 76	3	2	Optional
400	80	74 - 76	3	2	Optional
480	80	74 - 76	3	2	Optional
520	80	74 - 76	3	2	Optional
320	100	74 - 76	3	2	Optional
400	100	74 - 76	3	2	Optional
440	100	74 - 76	3	2	Optional
480	100	74 - 76	3	2	Optional
520	100	74 - 76	3	2	Optional
340	120	74 - 76	3	2	Optional
400	120	74 - 76	3	2	Optional
480	120	74 - 76	3	2	Optional
520	120	74 - 76	3	2	Optional
600	120	74 - 76	3	2	Optional
On request					

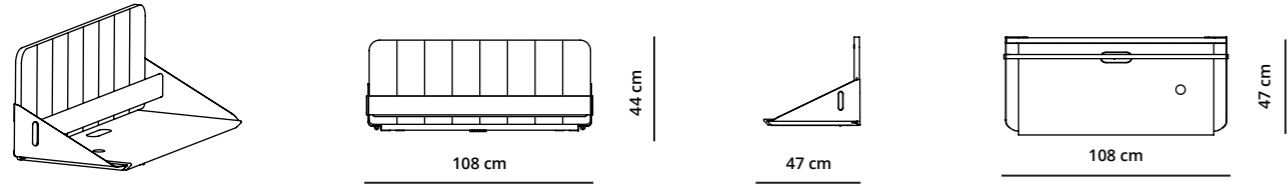


—
TIMELINE
DESK

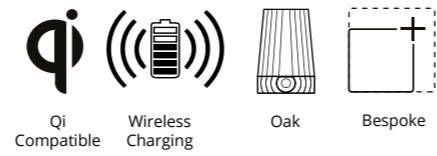
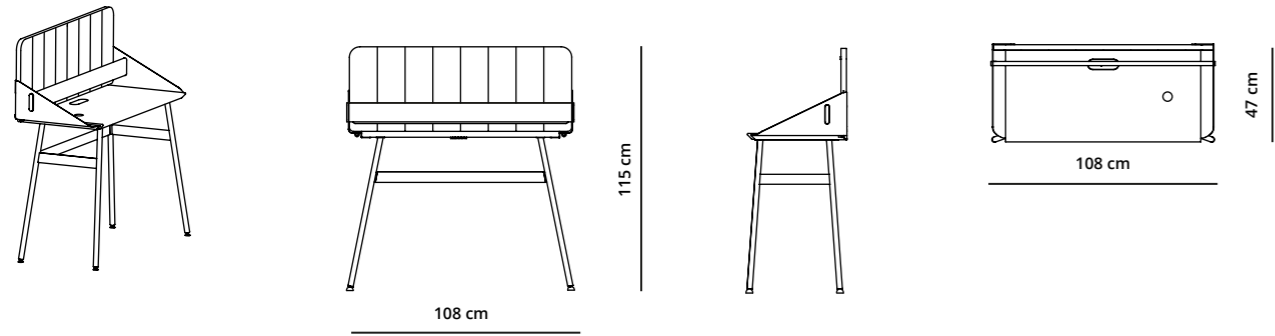




Timeline Wall Desk



Timeline Desk

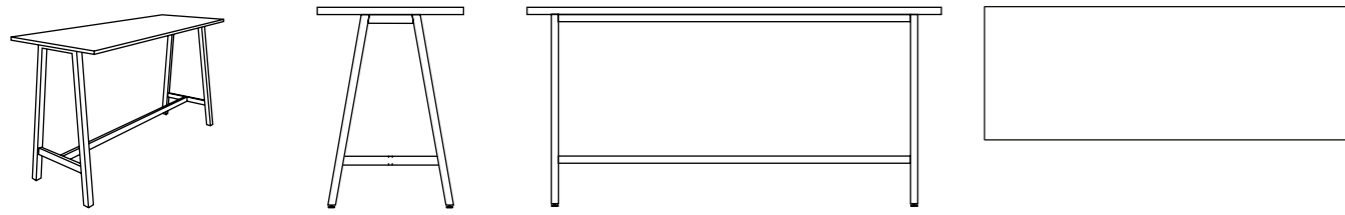




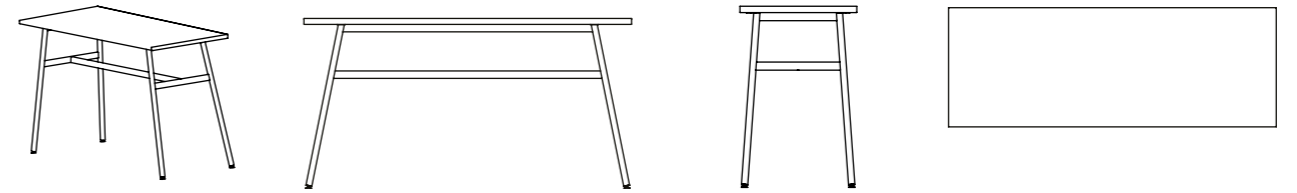
TIMELINE BAR



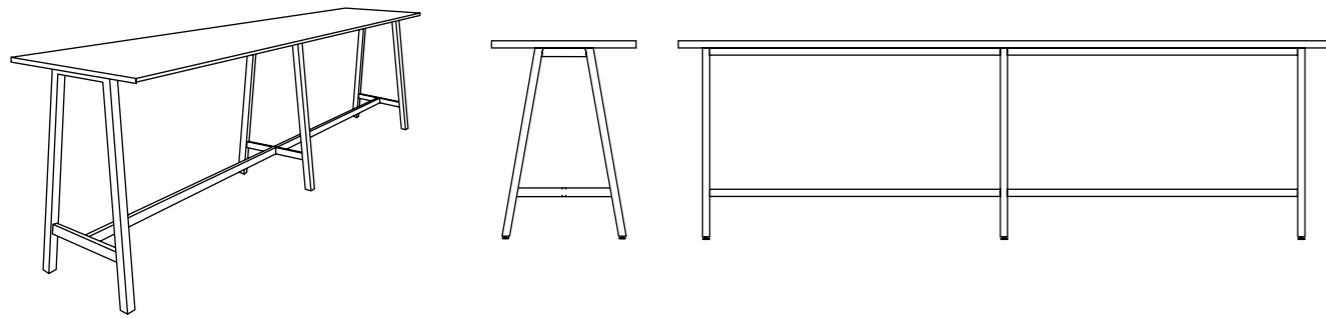
Timeline Bar



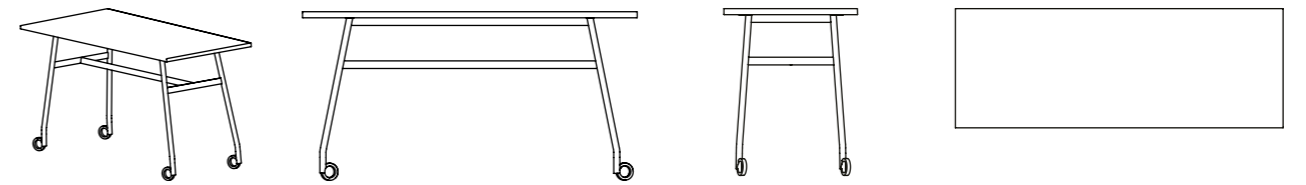
Timeline Bar (Tube Frame)



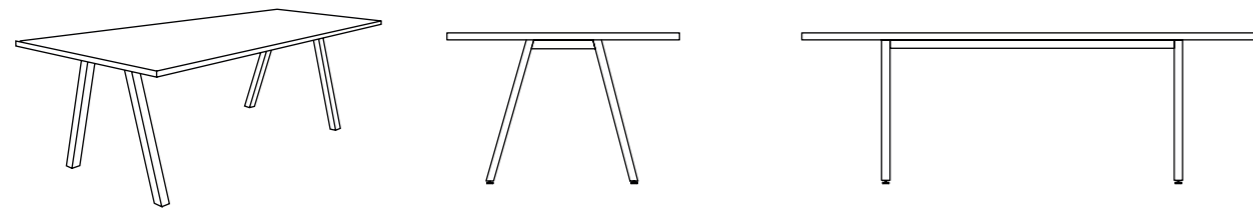
Timeline Bar Endless



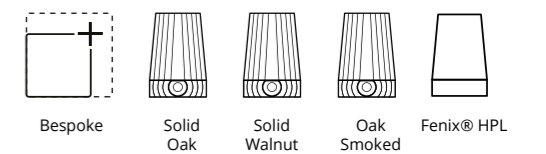
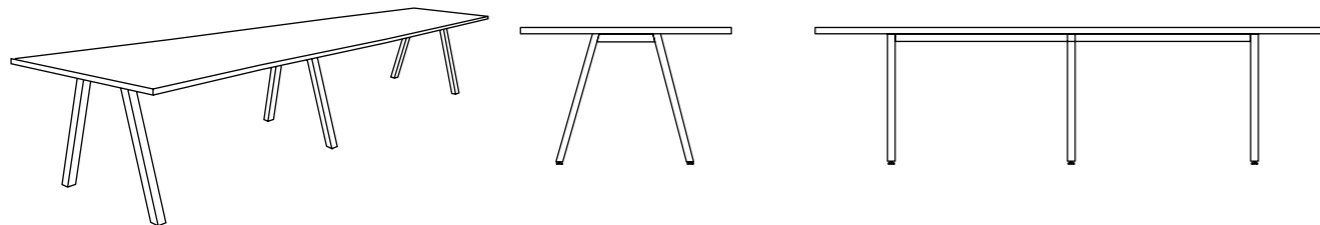
Timeline Bar design wheels (Tube Frame)



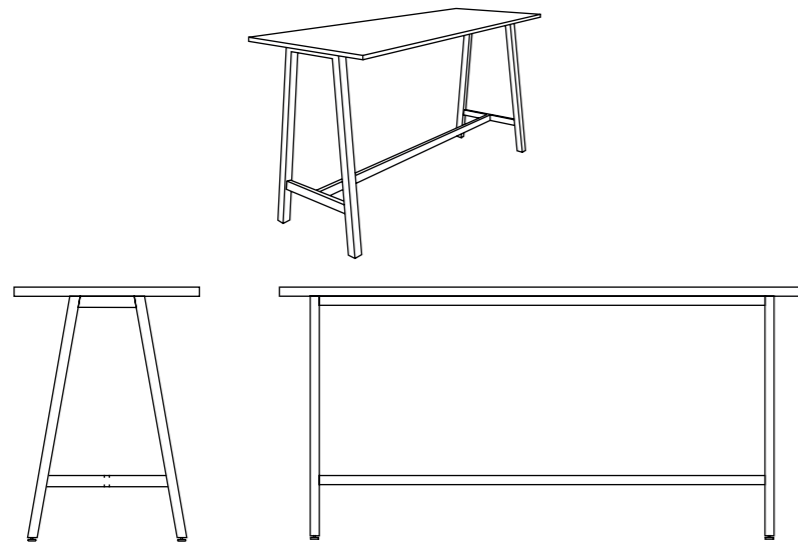
Timeline Table



Timeline Table Endless



Timeline Bar

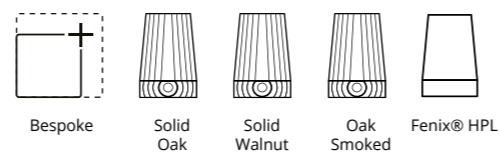


Lenght	Width	Height	Legs + H frame	Tabletop(s)	Electrification
160	75	90/105/110	4	1	Optional
180	75	90/105/110	4	1	Optional
200	75	90/105/110	4	1	Optional
210	75	90/105/110	4	1	Optional
220	75	90/105/110	4	1	Optional
240	75	90/105/110	4	1	Optional
260	75	90/105/110	4	1	Optional
280	75	90/105/110	4	1	Optional
300	75	90/105/110	4	1	Optional
320	75	90/105/110	4	1	Optional
340	75	90/105/110	4	1	Optional
350	75	90/105/110	4	1	Optional

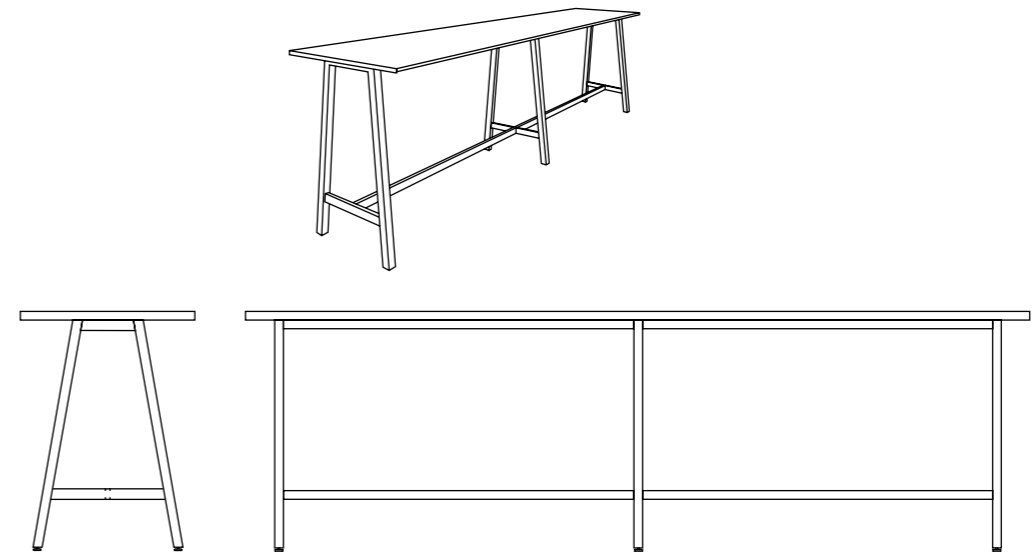
On request

160	80-100	90/105/110	4	1	Optional
180	80-100	90/105/110	4	1	Optional
200	80-100	90/105/110	4	1	Optional
210	80-100	90/105/110	4	1	Optional
220	80-100	90/105/110	4	1	Optional
240	80-100	90/105/110	4	1	Optional
260	80-100	90/105/110	4	1	Optional
300	80-100	90/105/110	4	1	Optional
320	80-100	90/105/110	4	1	Optional

On request



Timeline Bar Endless

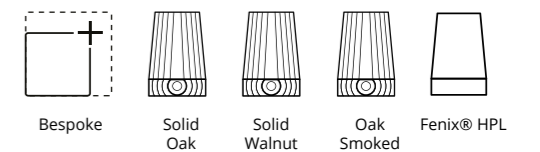


Lenght	Width	Height	Legs + H frame	Tabletop(s)	Electrification
340	75	90/ 105/ 110	6	2	Optional
360	75	90/ 105/ 110	6	2	Optional
380	75	90/ 105/ 110	6	2	Optional
400	75	90/ 105/ 110	6	2	Optional
480	75	90/ 105/ 110	6	2	Optional
520	75	90/ 105/ 110	6	2	Optional
540	75	90/ 105/ 110	6	2	Optional
560	75	90/ 105/ 110	6	2	Optional
580	75	90/ 105/ 110	6	2	Optional
600	75	90/ 105/ 110	6	2	Optional

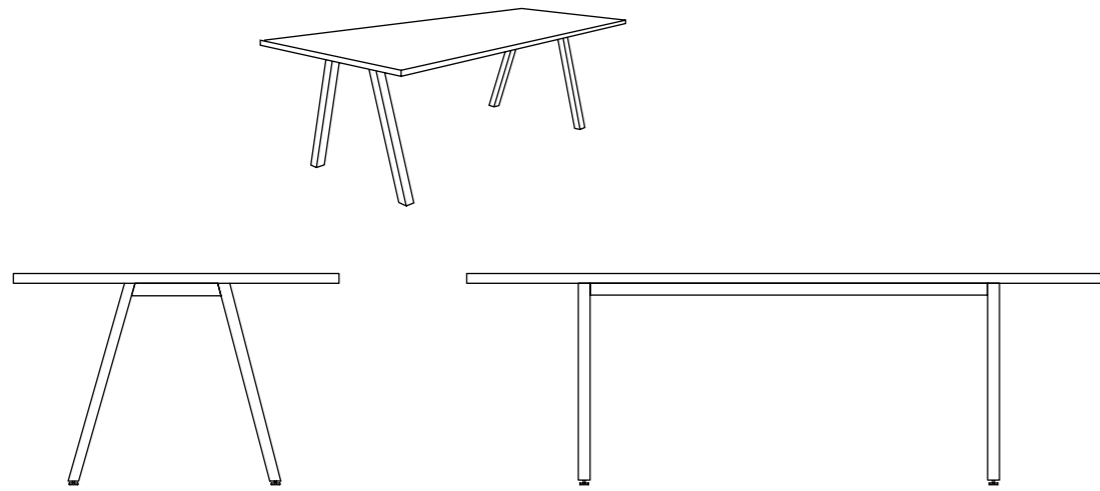
On request

340	80-100	90/ 105/ 110	6	2	Optional
360	80-100	90/ 105/ 110	6	2	Optional
380	80-100	90/ 105/ 110	6	2	Optional
400	80-100	90/ 105/ 110	6	2	Optional
480	80-100	90/ 105/ 110	6	2	Optional
520	80-100	90/ 105/ 110	6	2	Optional
540	80-100	90/ 105/ 110	6	2	Optional
560	80-100	90/ 105/ 110	6	2	Optional
580	80-100	90/ 105/ 110	6	2	Optional
600	80-100	90/ 105/ 110	6	2	Optional

On request

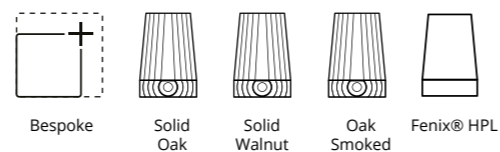


Timeline Table

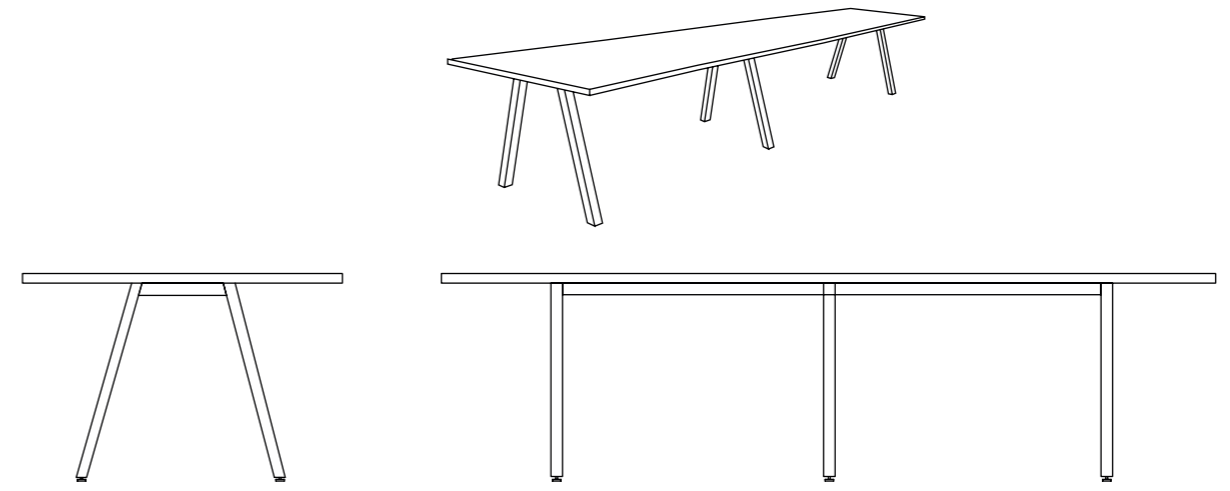


Lenght	Width	Height	Legs	Tabletop(s)	Electrification
160	95 -140	74-76	4	1	Optional
180	95 -140	74-76	4	1	Optional
200	95 -140	74-76	4	1	Optional
210	95 -140	74-76	4	1	Optional
220	95 -140	74-76	4	1	Optional
240	95 -140	74-76	4	1	Optional
260	95 -140	74-76	4	1	Optional
280	95 -140	74-76	4	1	Optional
300	95 -140	74-76	4	1	Optional
320	95 -140	74-76	4	1	Optional
340	95 -140	74-76	4	1	Optional
350	95 -140	74-76	4	1	Optional

On request

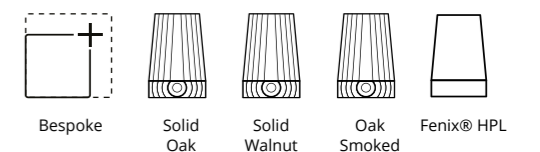


Timeline Table Endless

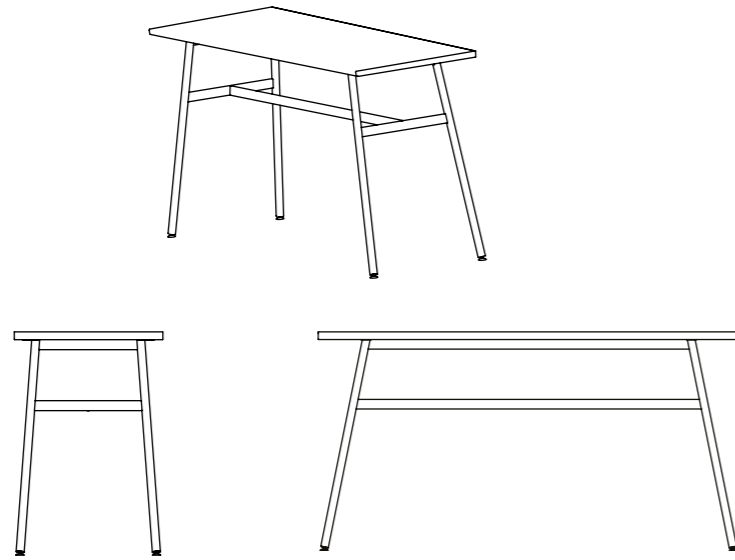


Lenght	Width	Height	Legs	Tabletop(s)	Electrification
340	95 -140	74-76	6	2	Optional
360	95 -140	74-76	6	2	Optional
380	95 -140	74-76	6	2	Optional
400	95 -140	74-76	6	2	Optional
480	95 -140	74-76	6	2	Optional
520	95 -140	74-76	6	2	Optional
540	95 -140	74-76	6	2	Optional
560	95 -140	74-76	6	2	Optional
580	95 -140	74-76	6	2	Optional
600	95 -120	74-76	6	2	Optiona4

On request

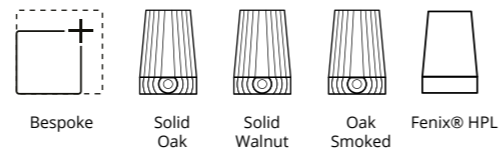


Timeline Bar (Tube Frame)

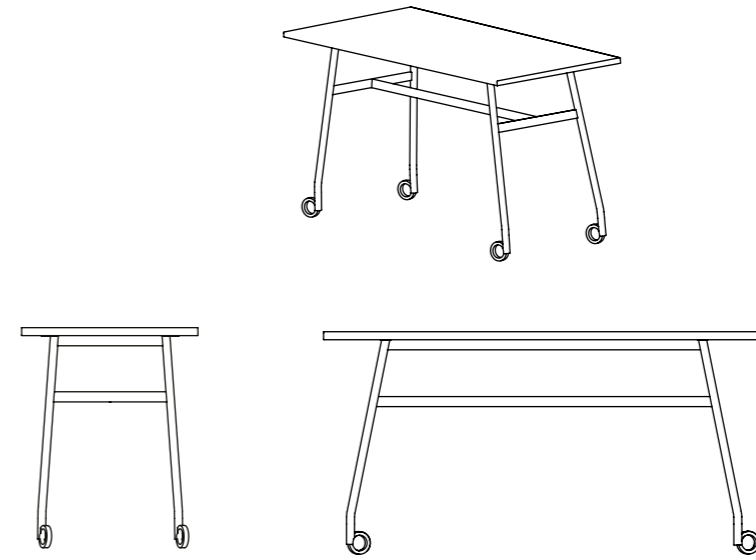


Lenght	Width	Height	Legs + H frame	Tabletop(s)	Electrification
160	75-100	90/105/110	4	1	Optional
180	75-100	90/105/110	4	1	Optional
200	75-100	90/105/110	4	1	Optional
210	75-100	90/105/110	4	1	Optional
220	75-100	90/105/110	4	1	Optional
240	75-100	90/105/110	4	1	Optional
260	75-100	90/105/110	4	1	Optional
280	75-100	90/105/110	4	1	Optional
300	75-100	90/105/110	4	1	Optional
320	75-100	90/105/110	4	1	Optional

On request

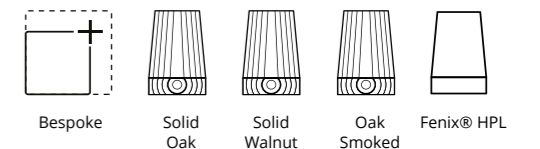


Timeline Bar design wheels (Tube Frame)

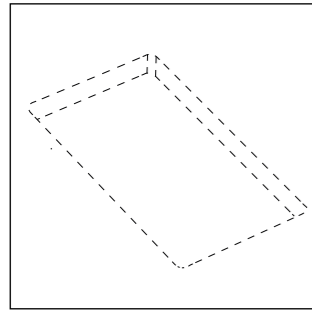


Lenght	Width	Height	Legs + H frame	Tabletop(s)	Electrification
160	75-100	90/105/110	4	1	Optional
180	75-100	90/105/110	4	1	Optional
200	75-100	90/105/110	4	1	Optional
210	75-100	90/105/110	4	1	Optional
220	75-100	90/105/110	4	1	Optional
240	75-100	90/105/110	4	1	Optional
260	75-100	90/105/110	4	1	Optional
280	75-100	90/105/110	4	1	Optional
300	75-100	90/105/110	4	1	Optional
320	75-100	90/105/110	4	1	Optional

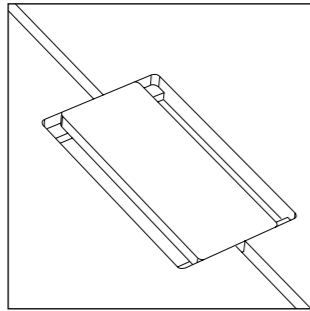
On request



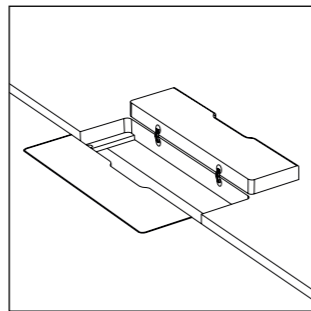
Electrification Wood Options



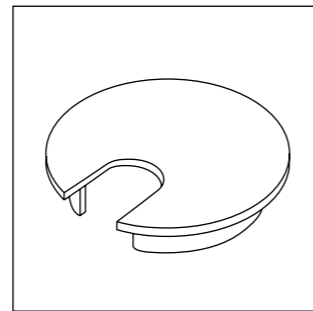
Cut Out



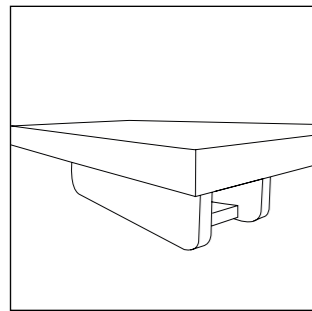
Inlay Panel



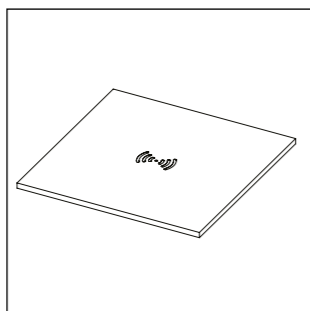
Hinge matching or contrast



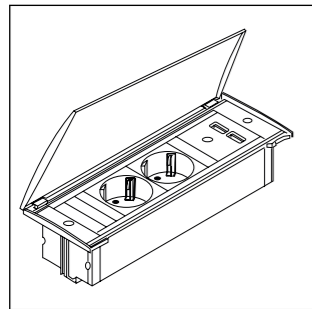
Cable Hole Cover



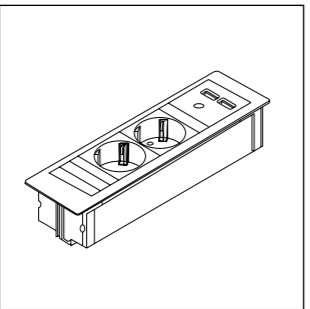
Wooden Cable Canal



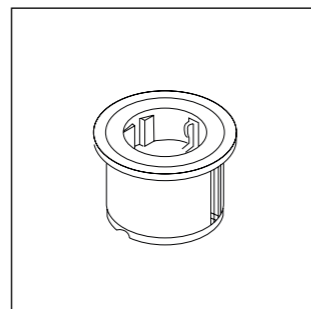
Qi Wireless Charging (Blind)



Bachmann Kapsa



Bachmann Power Frame



Bachmann Pix



Own selection also possible

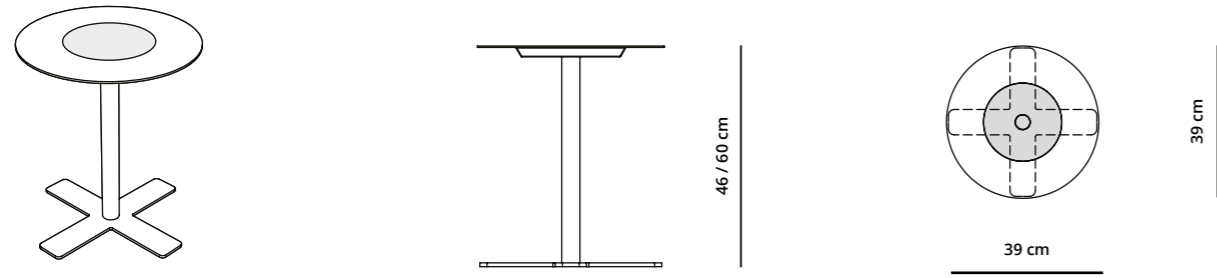
A PLAYFULL ADDITION

BLUSH SIDE & COFFEE TABLE

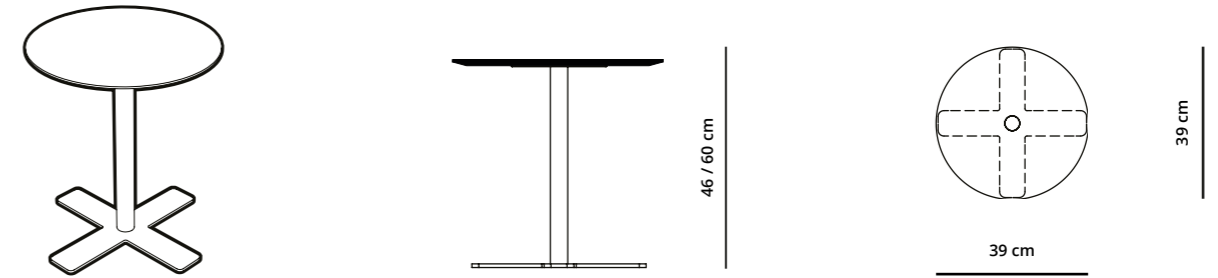




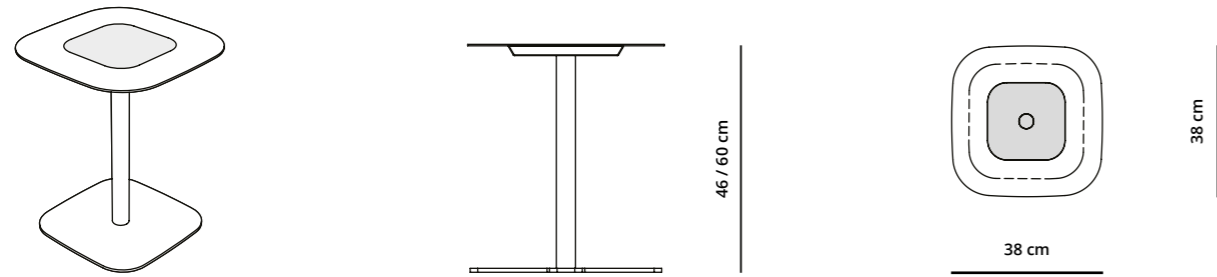
Blush Side Table Round (Inlay wood)



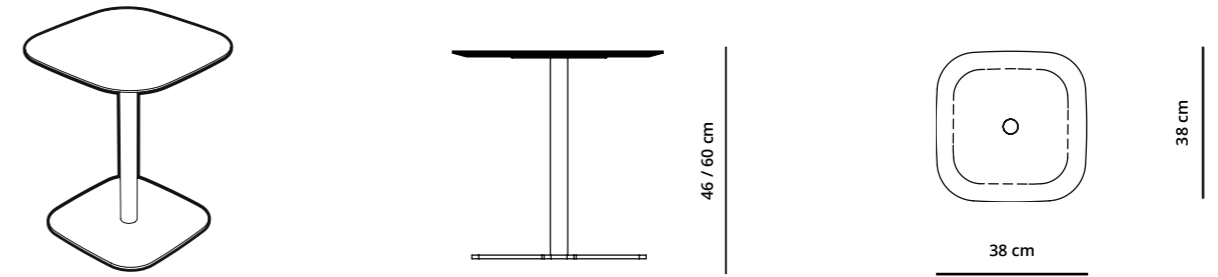
Blush Side Table Round (Solid wood)



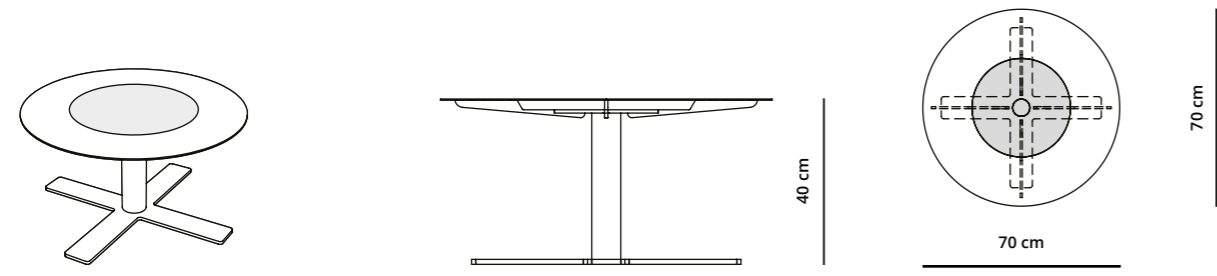
Blush Side Table Squircle (Inlay wood)



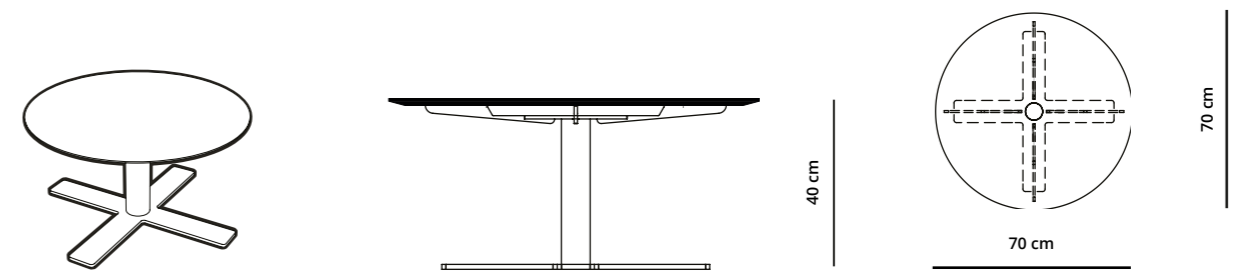
Blush Side Table Squircle (Solid wood)



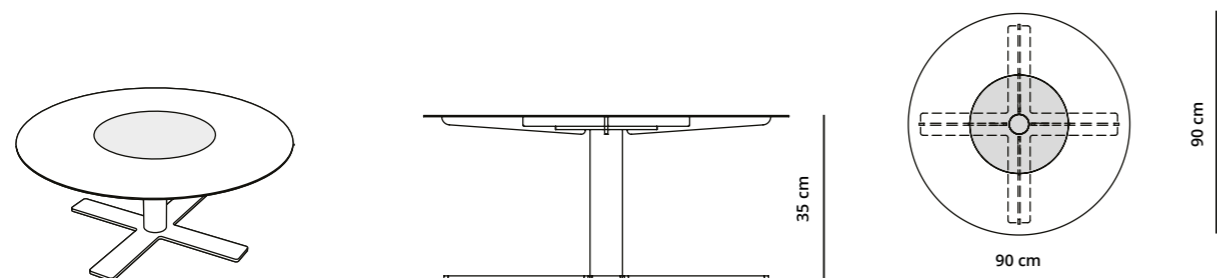
Blush Salon Table 70 (Inlay wood)



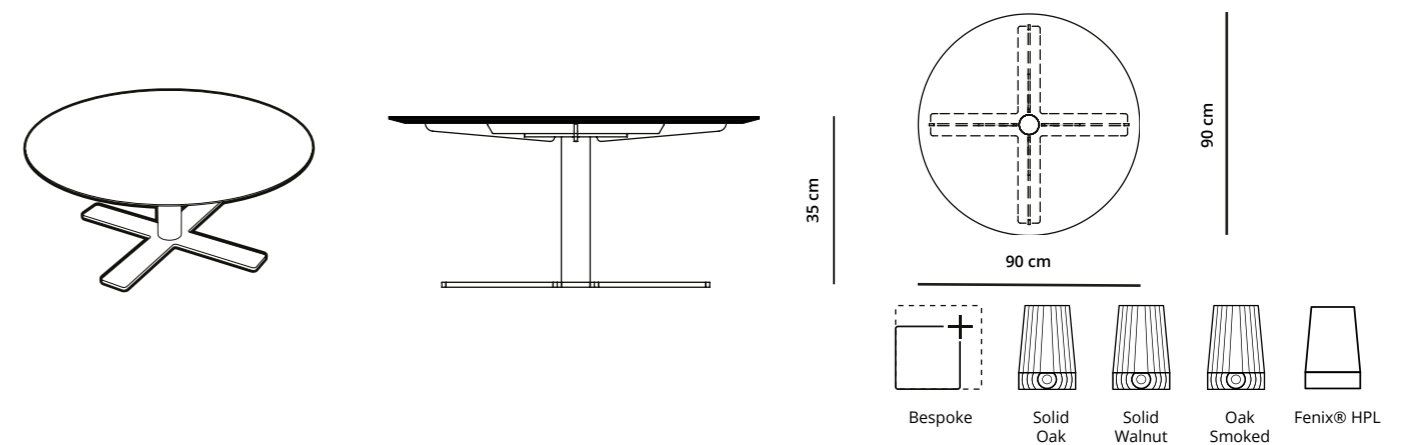
Blush Salon Table 70 (Solid wood)



Blush Salon Table 90 (Inlay wood)



Blush Salon Table 90 (Solid wood)

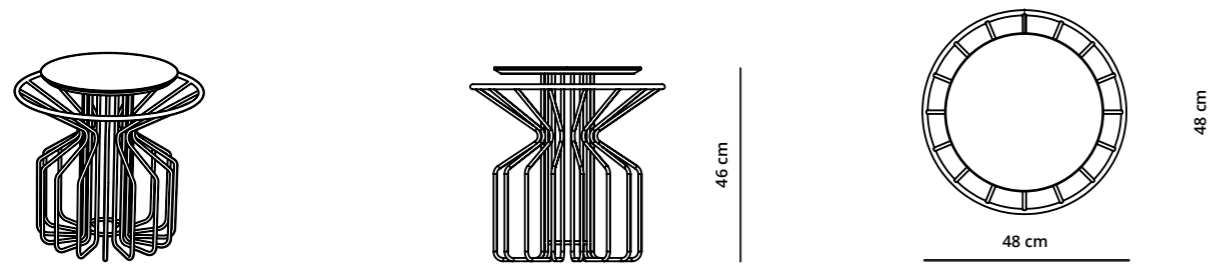


—
AMARANT
SIDE & COFFEE TABLE

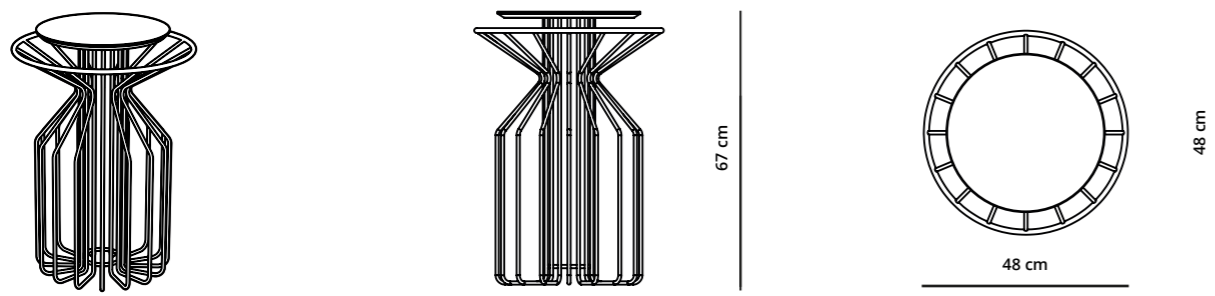




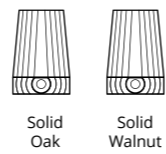
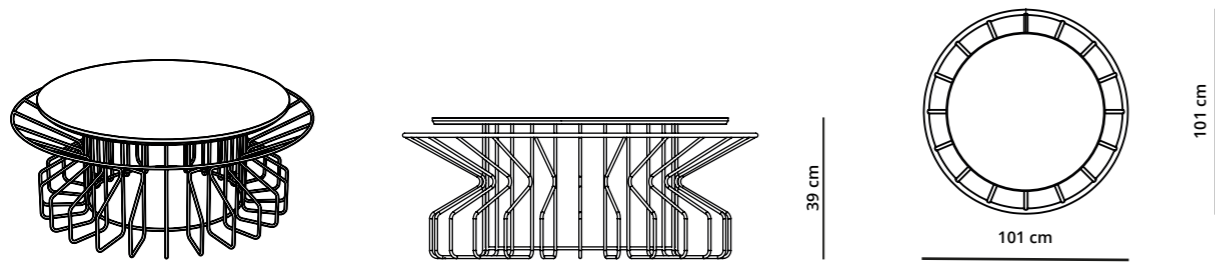
Amarant Low



Amarant Medium



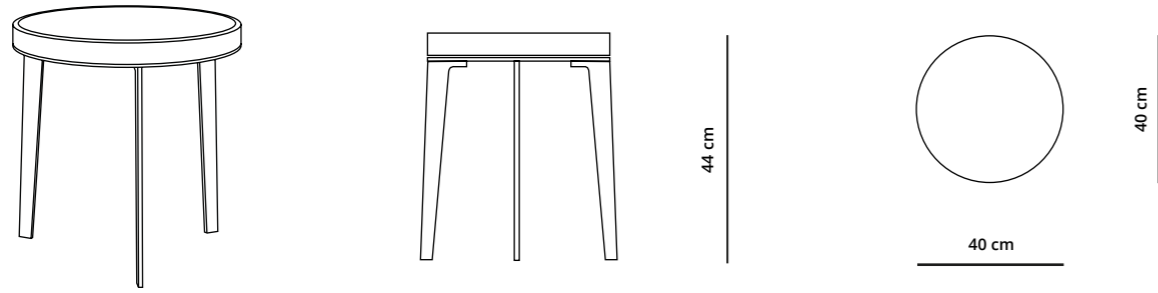
Amarant Coffee



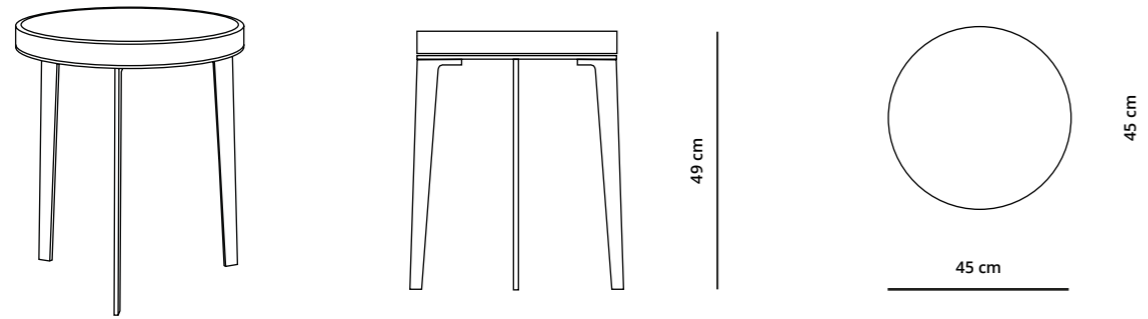
—
MONDO
SIDE & COFFEE TABLE



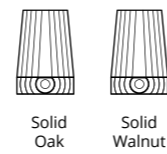
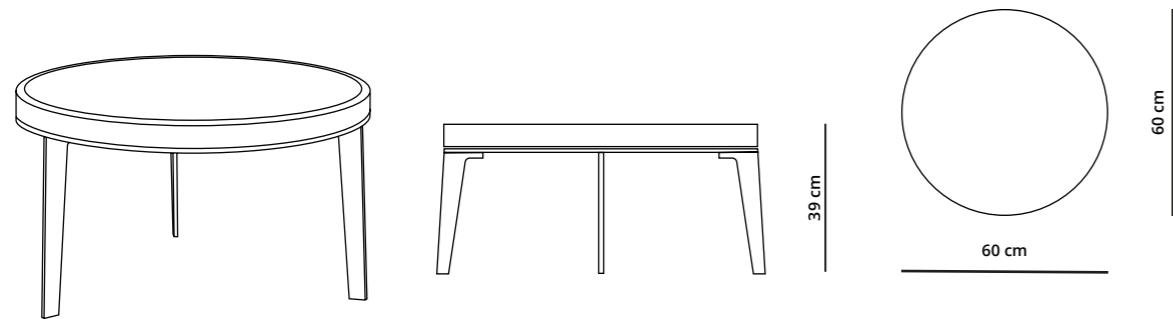
Mondo 40



Mondo 45



Mondo 60

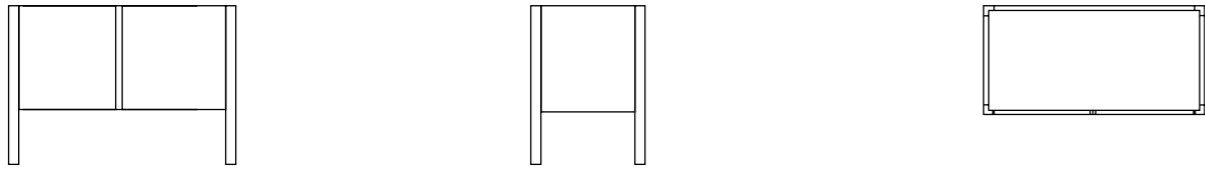


RESET STORAGE

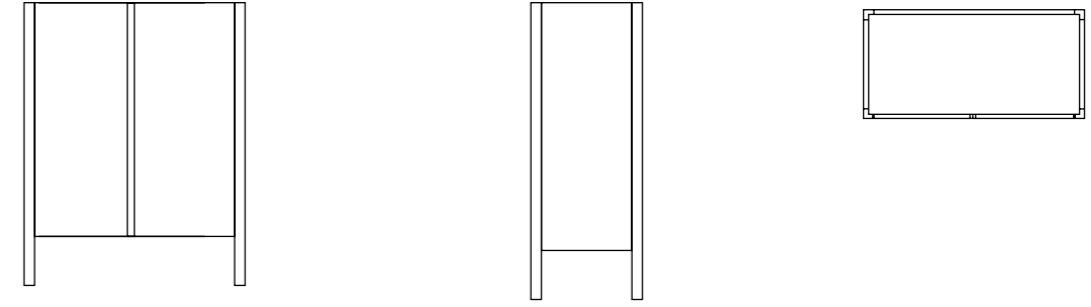


Reset Storage | Oak | Black 099 / Naural 000

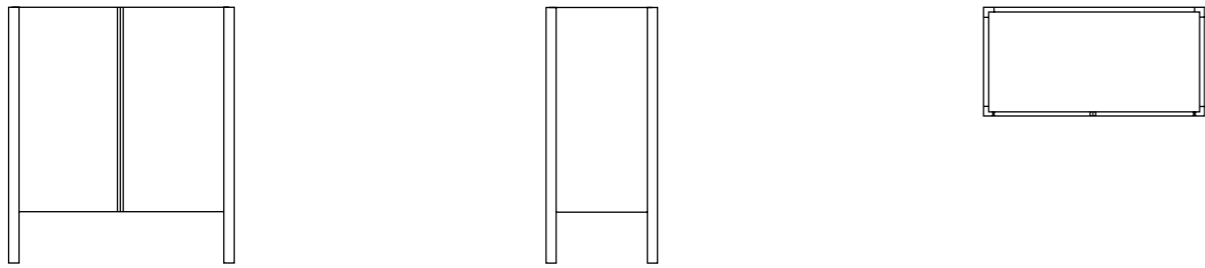
Reset Storage 80 x 60



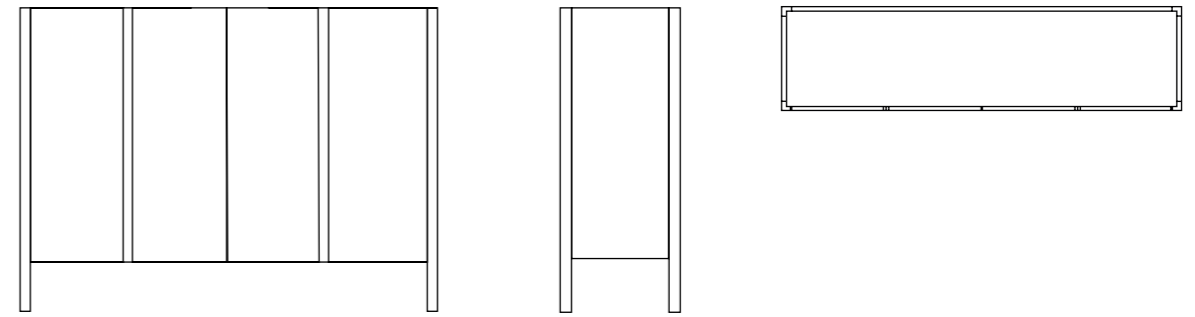
Reset Storage 80 x 150



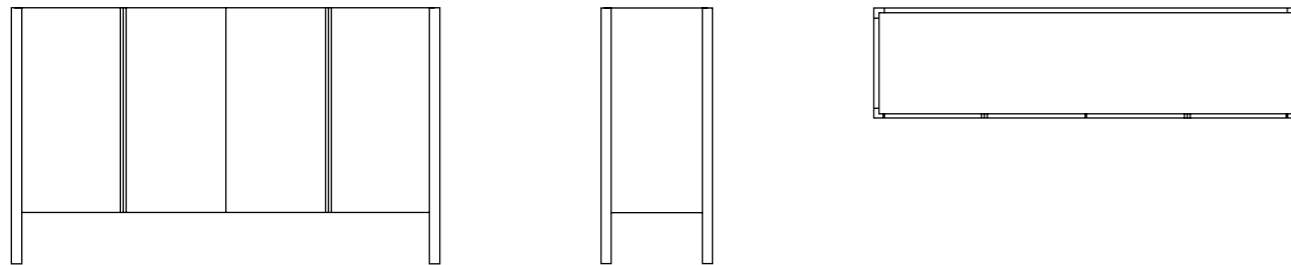
Reset Storage 80 x 100



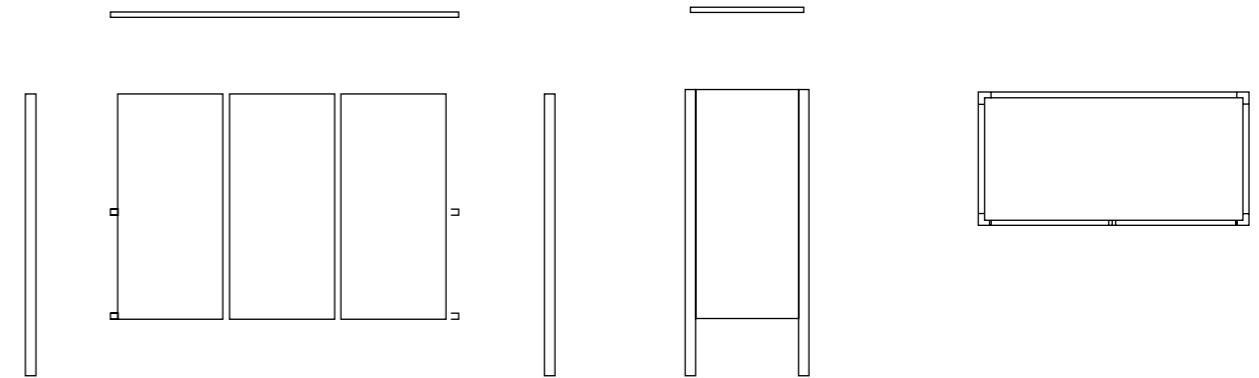
Reset Storage 160 x 150



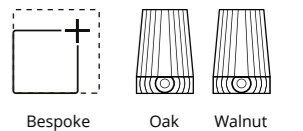
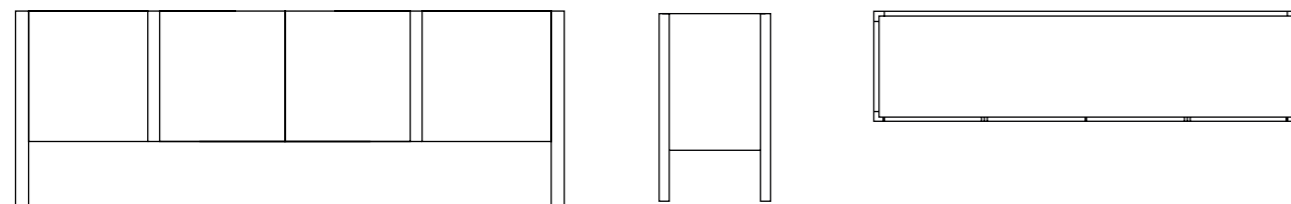
Reset Storage 160 x 100



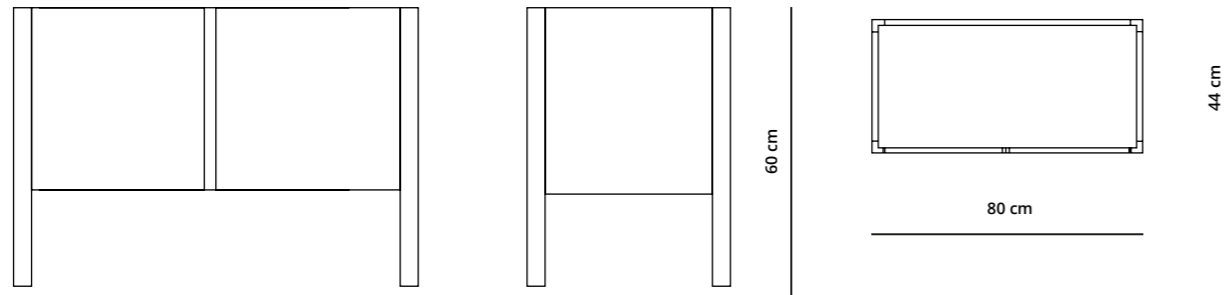
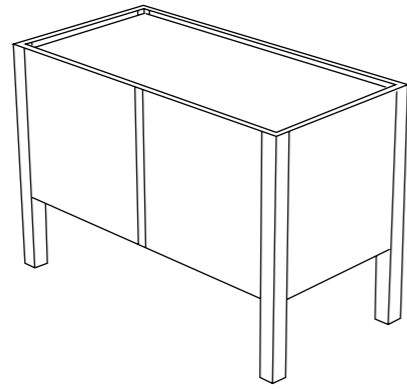
Reset Storage Tailored



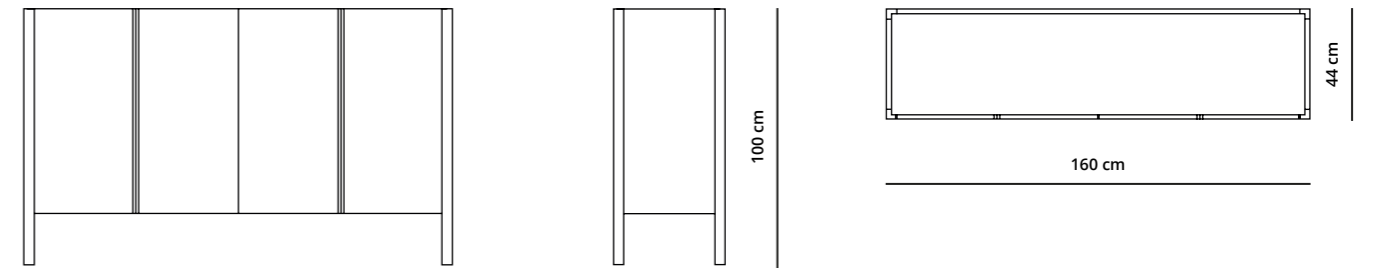
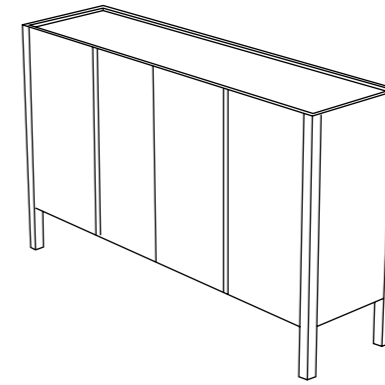
Reset Storage 160 x 60



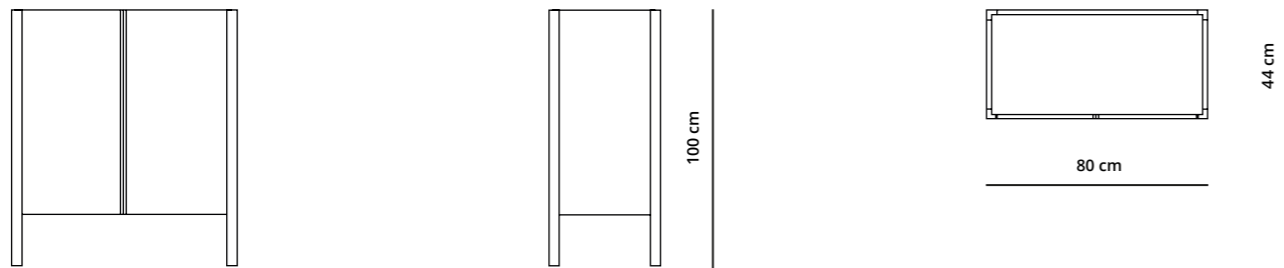
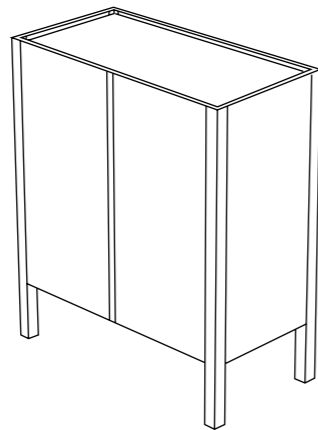
Reset Storage 80 x 60



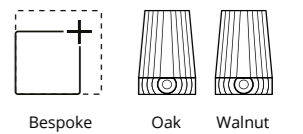
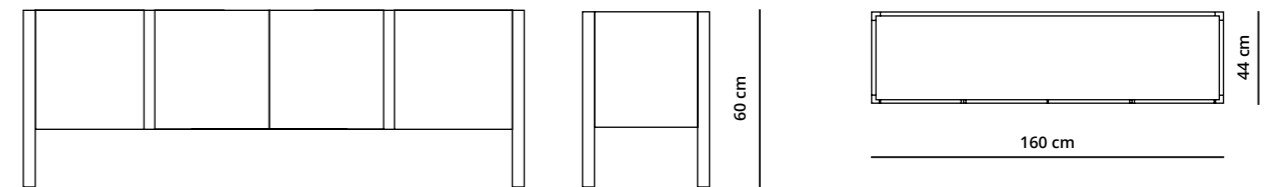
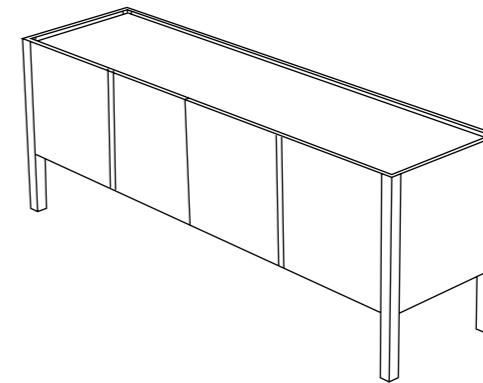
Reset Storage 160 x 100



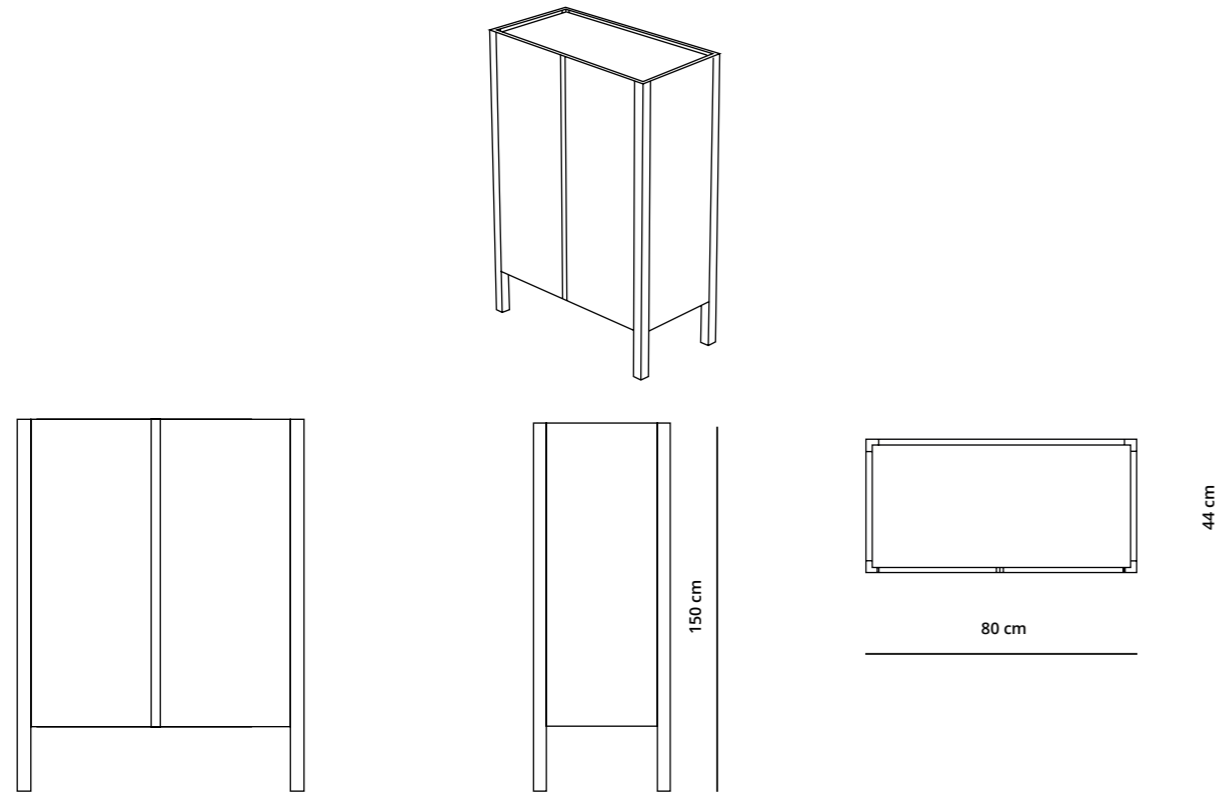
Reset Storage 80 x 100



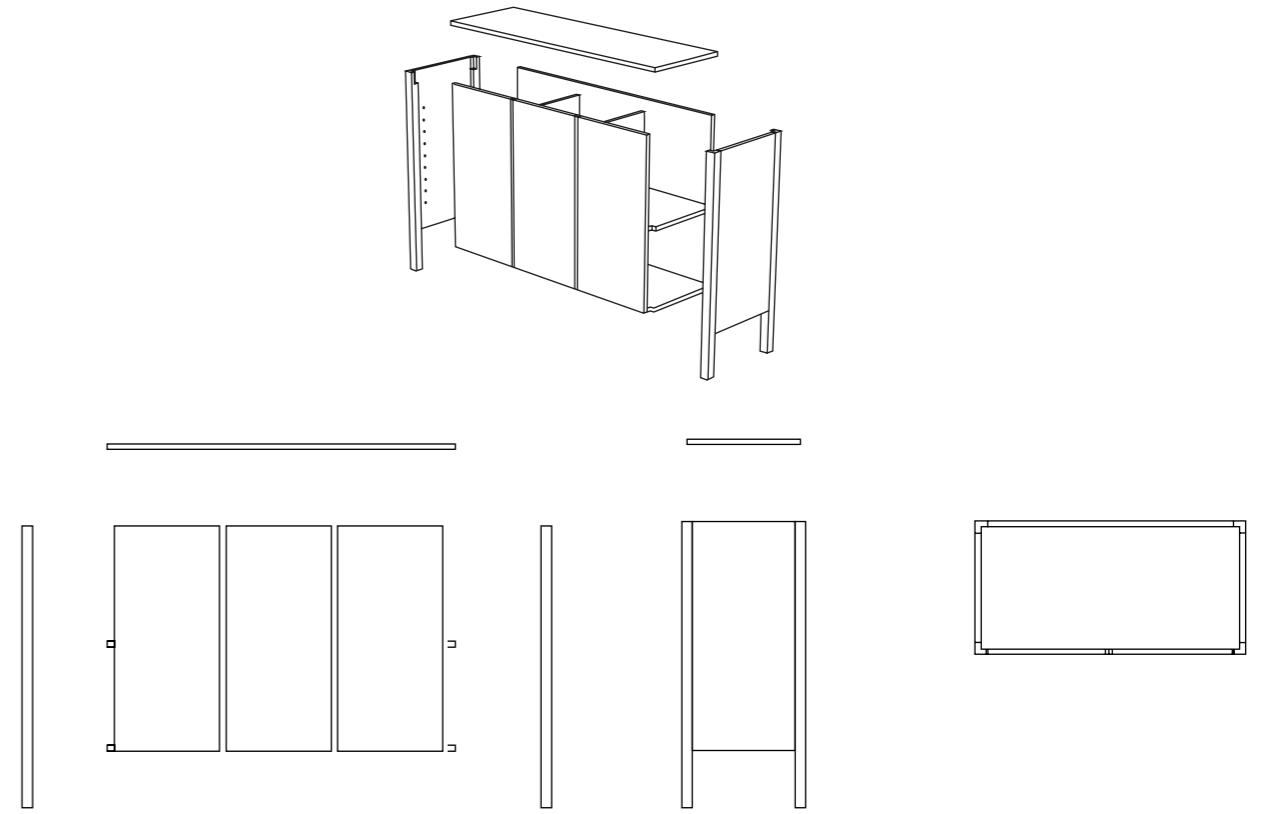
Reset Storage 160 x 60



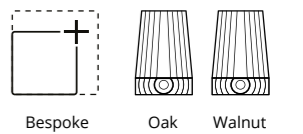
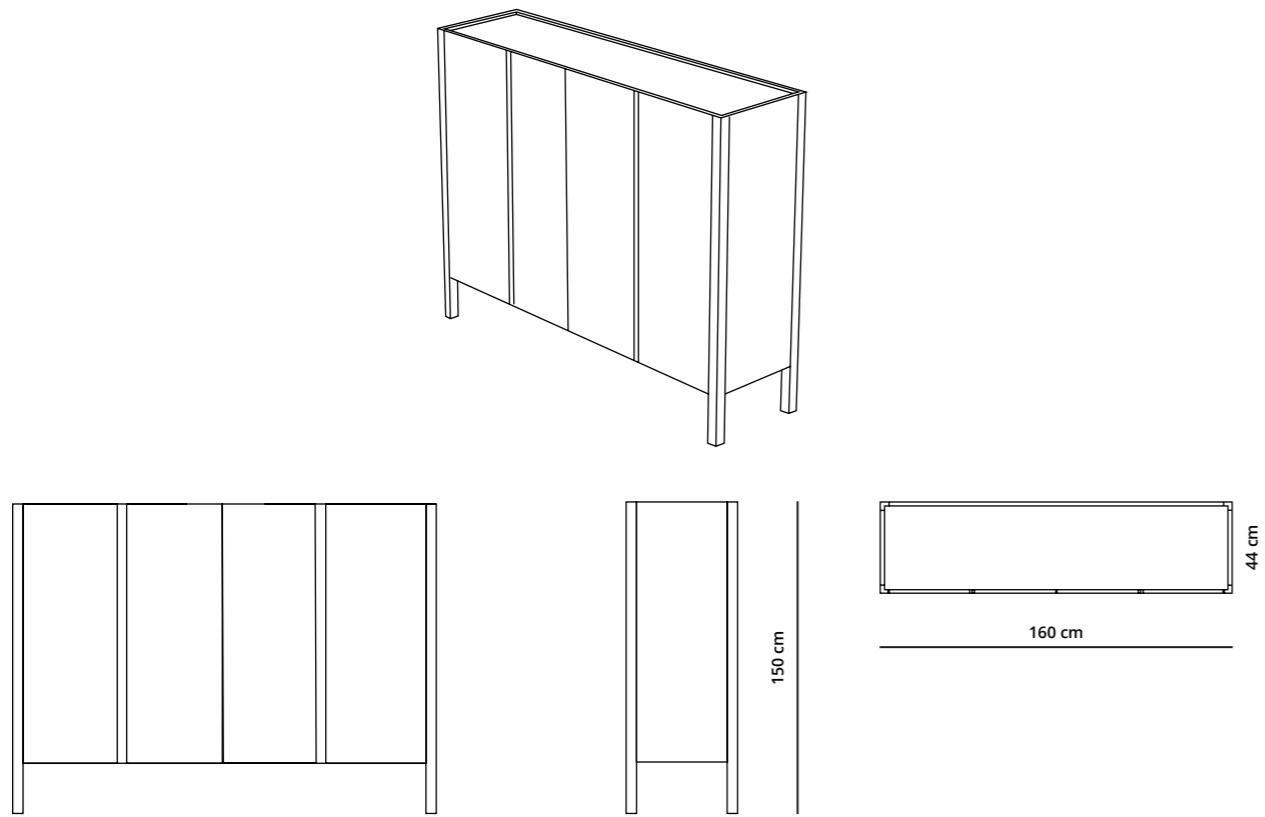
Reset Storage 80 x 150



Reset Storage Tailored



Reset Storage 160 x 150



TABLET & PHONE FURNITURE





Nomad Stand | WhiteWash Solid Oak | Pebble Grey Ral 7032 FT
Photography Fiona Kock

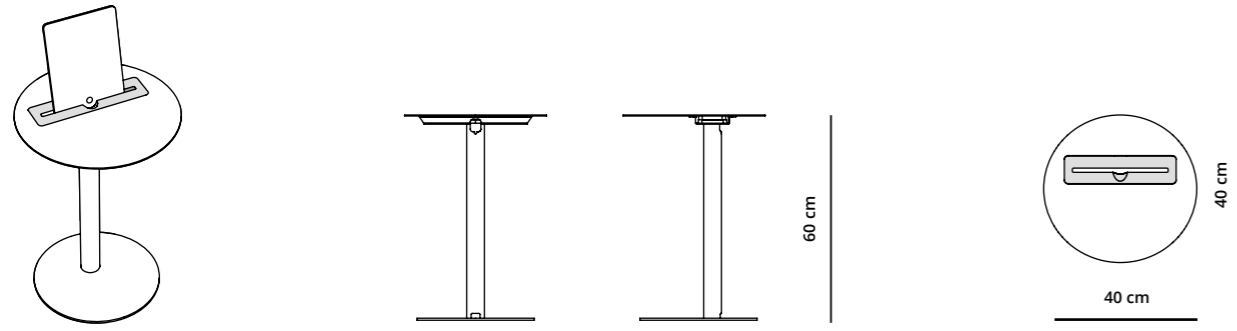
NOMAD TABLET TABLE



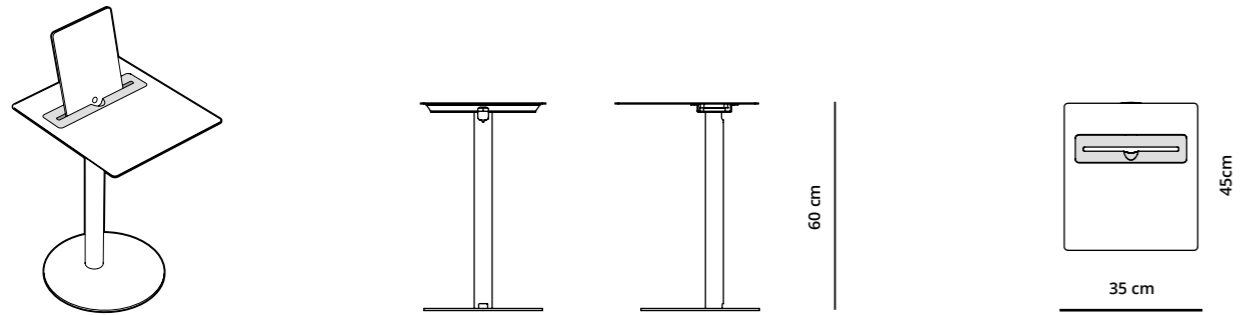
Nomad Tablet Table | Round | Quartz Grey Ral 7039 | Walnut Dock



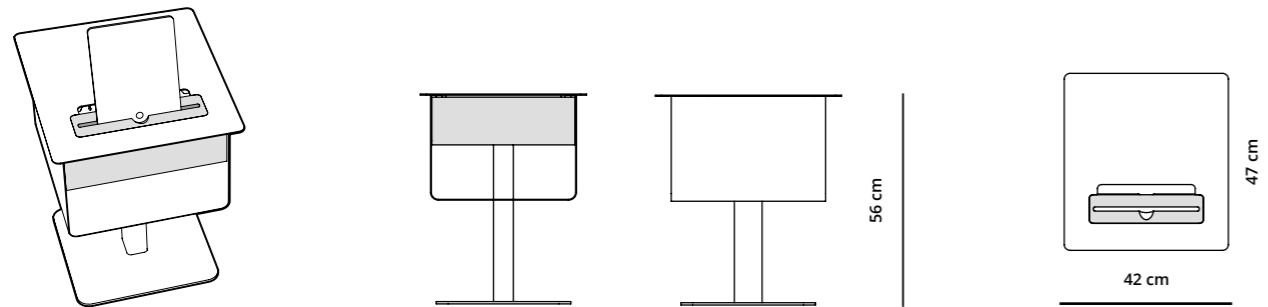
Nomad Round



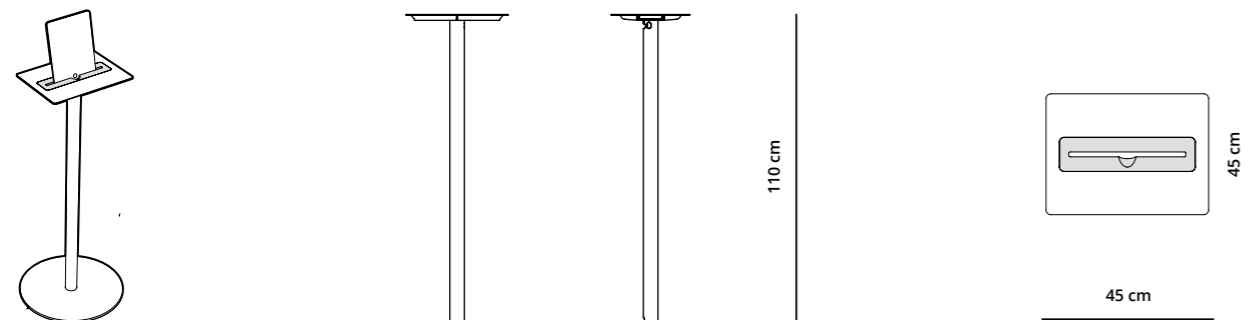
Nomad Square



Nomad Stand



Nomad High





— STAGE CHARGE SHELF

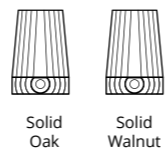
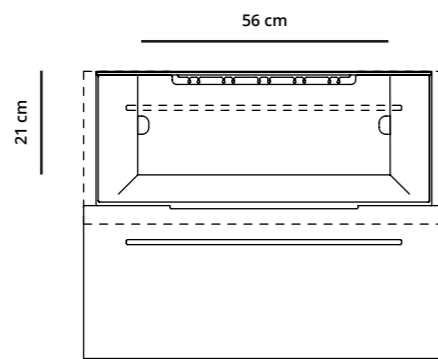
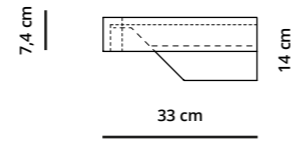
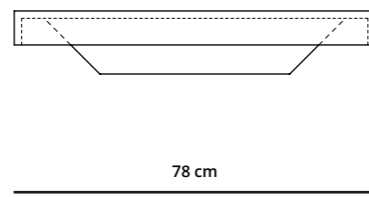
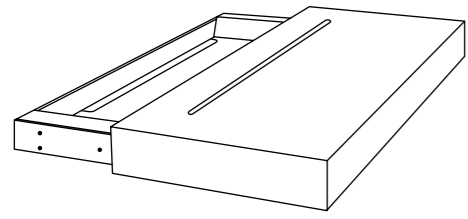


Stage Charge Shelf | Solid Walnut | Quartz Grey Ral 7039 FT



Stage Charge Shelf | Solid Oak | White Ral 9010 FT

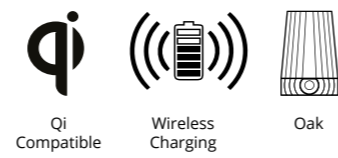
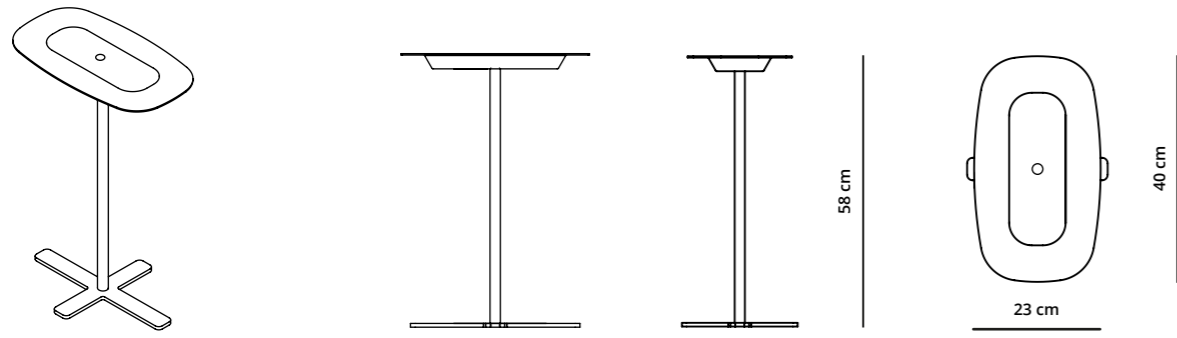
Stage Charge Shelf



NEXT WIRELESS CHARGING



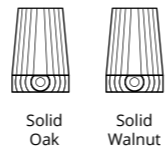
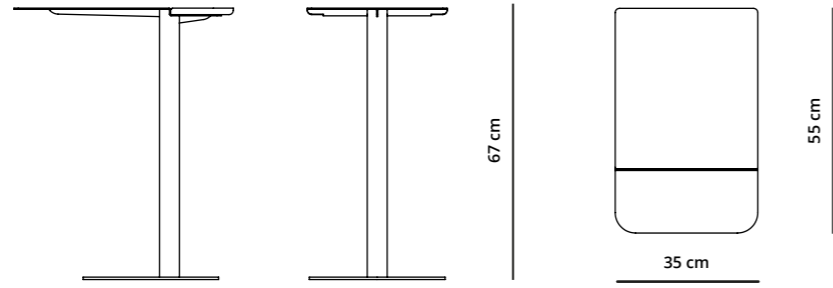
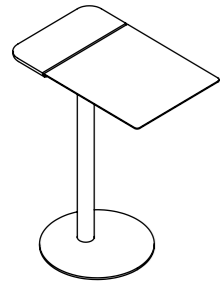
Next Wireless Charging



SPLITSCREEN LAPTOP



Splitscreen Laptop



SEMI SOLID WOOD TABLES



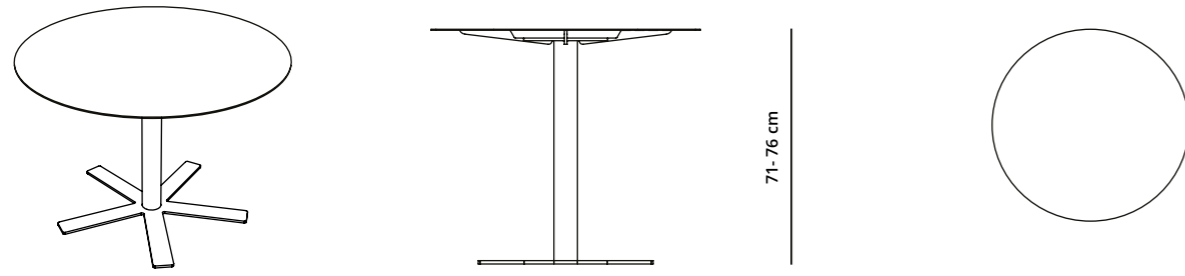
—
**BLUSH
CLUBTABLES**



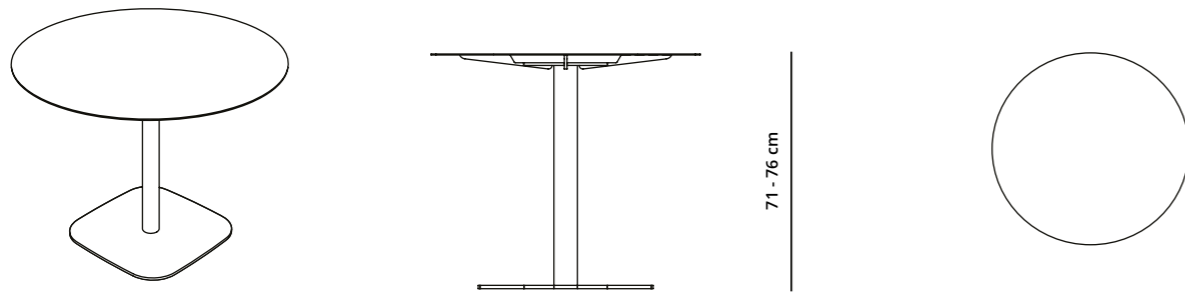




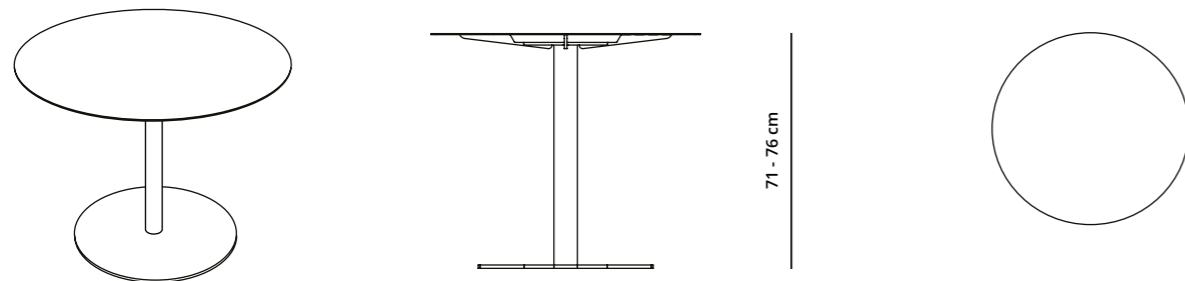
Blush Table Cross



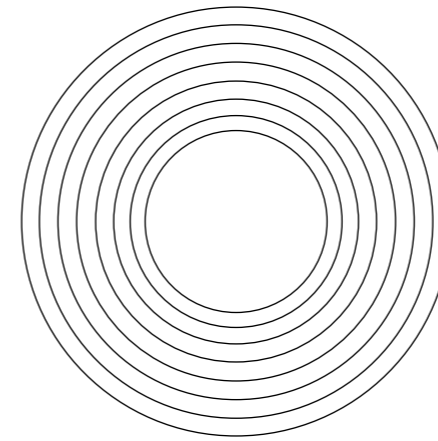
Blush Table Squirrel



Blush Table Round

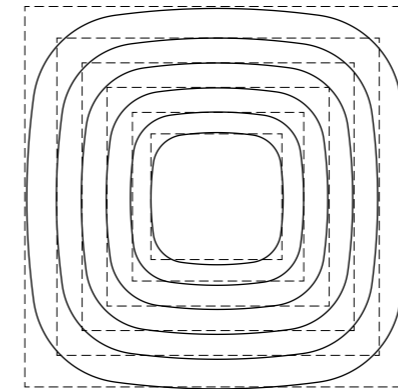


Blush Table Top



Diameter	Height	Thickness (solid wood)	Tabletop(s)
Ø 60	71-76	3	1
Ø 70	71-76	3	1
Ø 80	71-76	3	1
Ø 100	71-76	3	1
Ø 120	71-76	3	1
Ø 130	71-76	3	1
Ø 140	71-76	3	1
Ø 150	71-76	3	1
Ø 160	71-76	3	1

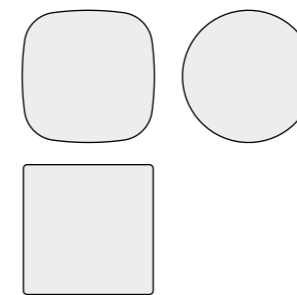
On request



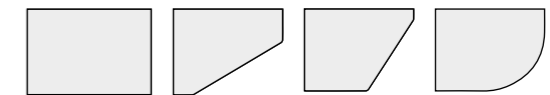
Lenght	Width	Height	Thickness	Tabletop(s)
60	60	71-76	3	1
70	70	71-76	3	1
80	80	71-76	3	1
90	90	71-76	3	1
100	100	71-76	3	1
110	110	71-76	3	1
120	120	71-76	3	1
130	130	71-76	3	1
140	140	71-76	3	1

On request

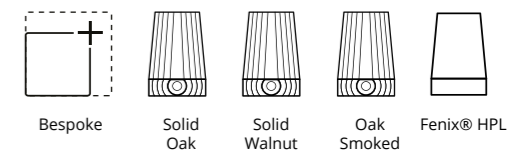
Table Finish



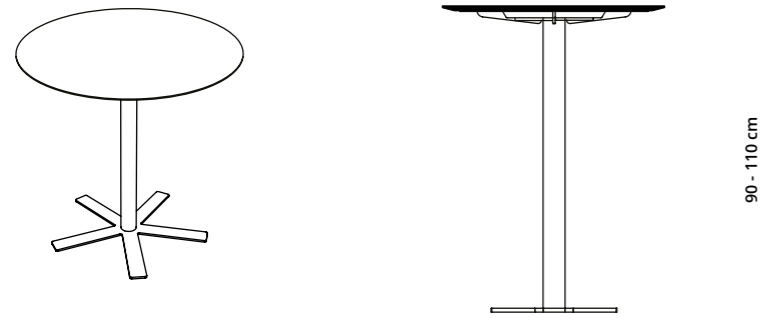
Top Form



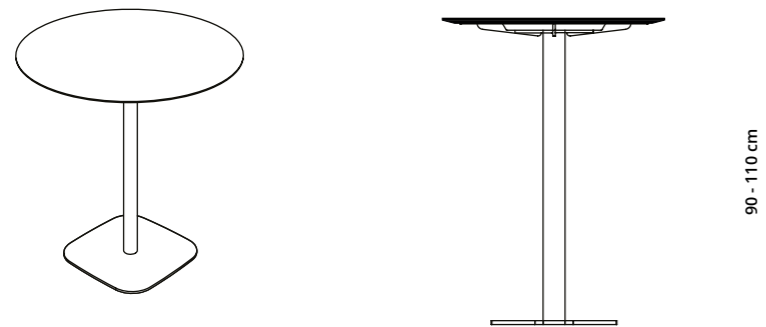
Edge finish



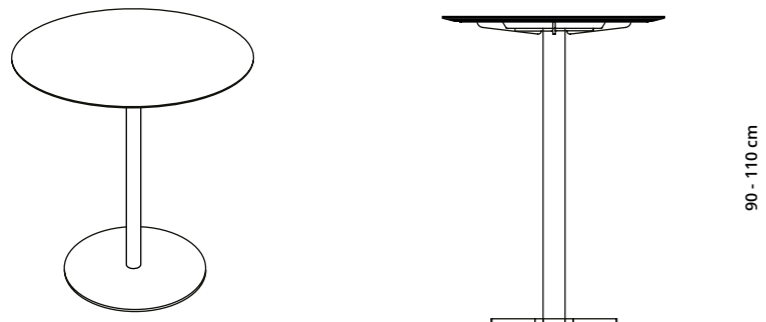
Blush Bar Cross



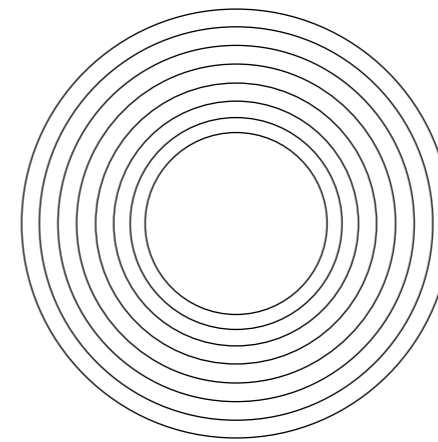
Blush Bar Squirrel



Blush Bar Round

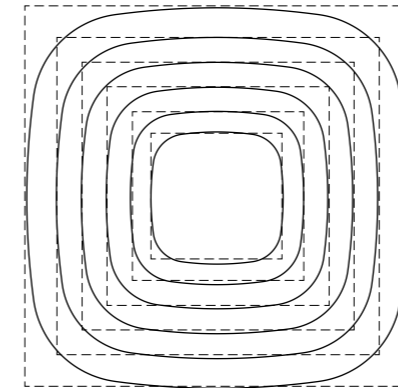


Blush Table Top



Diameter	Height	Thickness (solid wood)	Tabletop(s)
Ø 60	90-110	3	1
Ø 70	90-110	3	1
Ø 80	90-110	3	1
Ø 90	90-110	3	1
Ø 100	90-110	3	1

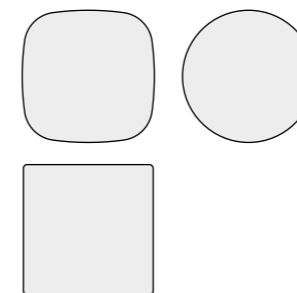
On request



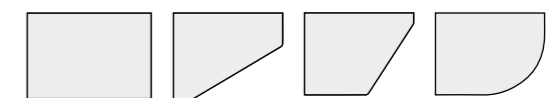
Length	Width	Height	Thickness	Tabletop(s)
60	60	90-110	3	1
70	70	90-110	3	1
80	80	90-110	3	1
90	90	90-110	3	1
100	100	90-110	3	1

On request

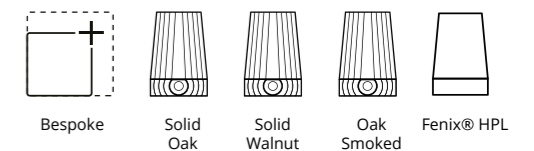
Table Finish



Top Form



Edge finish



SEATERS



WORKER STOOLS

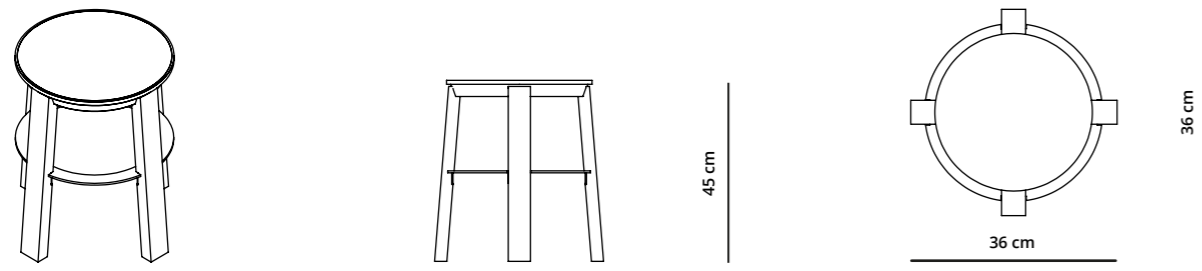


Worker 75 | Solid Ash | Black
Photography Wouter van der Sar

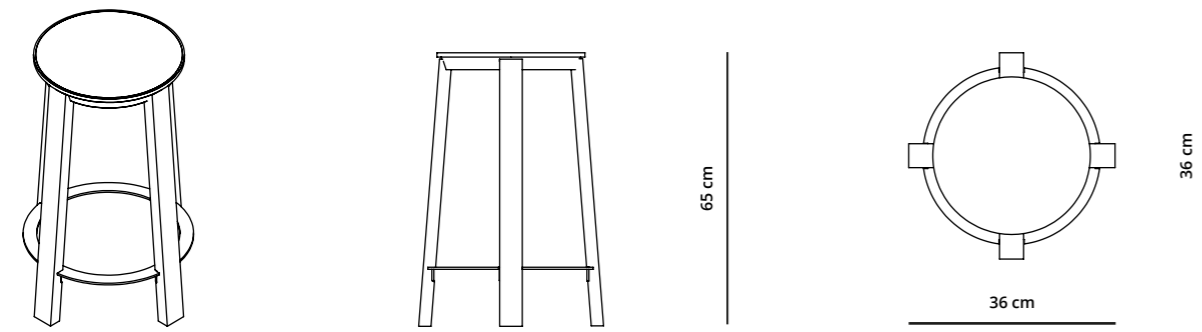


Worker 45 | Solid Ash | Black
Photography Wouter van der Sar

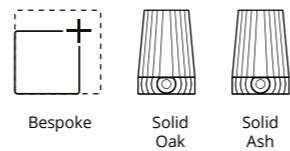
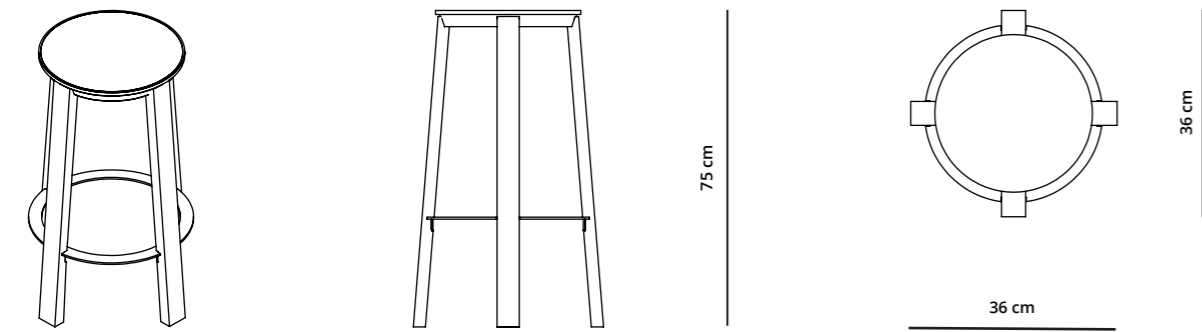
Worker 45



Worker 65



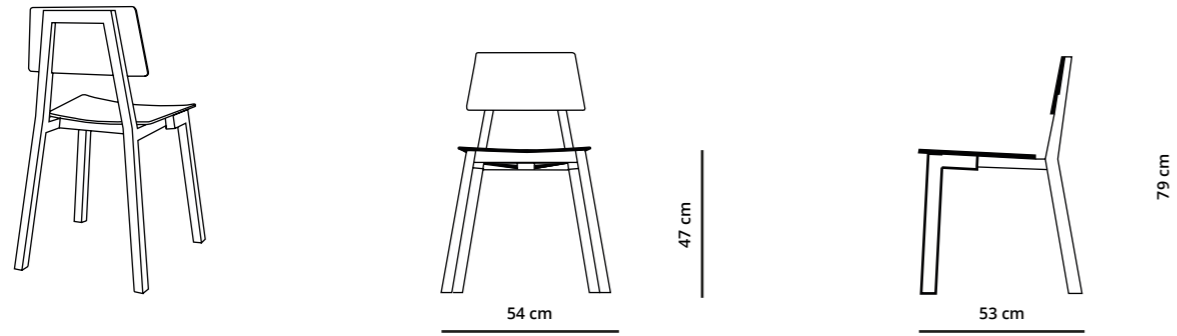
Worker 75



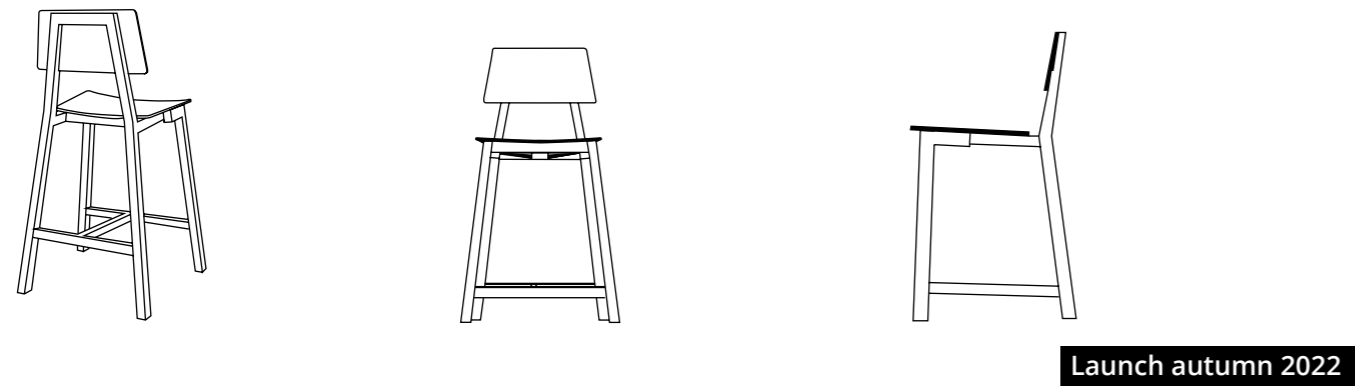
—
CATWALKER
CHAIR



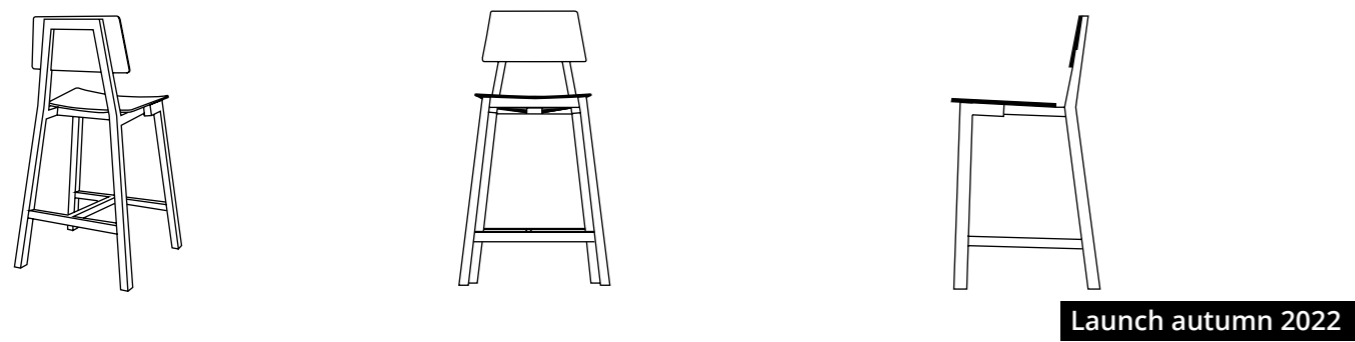
Catwalker Chair



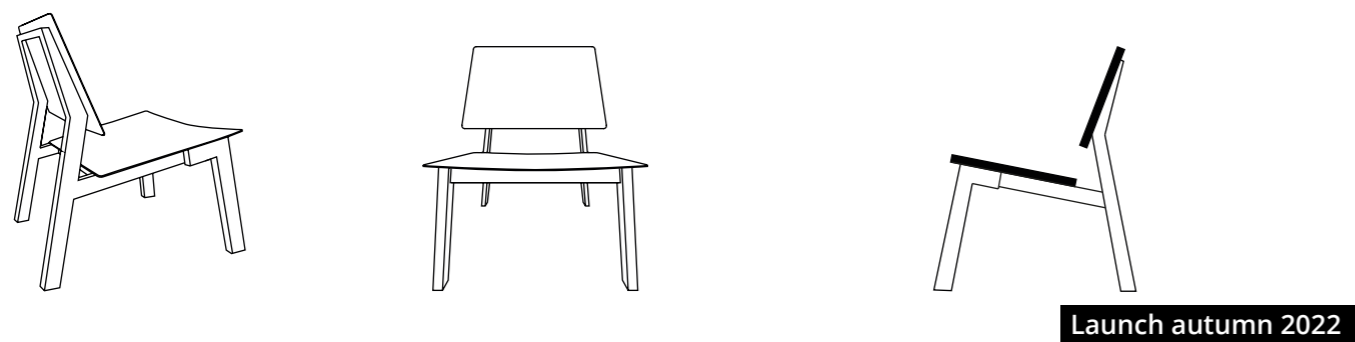
Catwalker Counter Stool



Catwalker Bar Stool



Catwalker Lounger



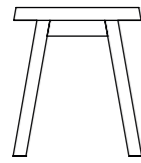
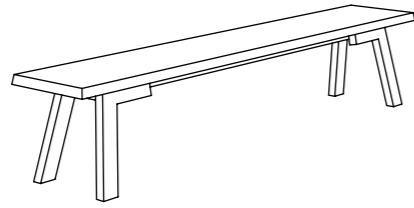
Catwalker Upholstery

Catwalker seating models are offered without upholstery, partially upholstered or fully upholstered.

**CATWALKER
BENCH**

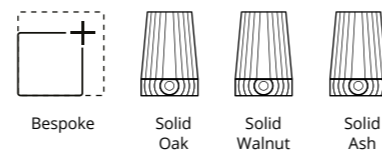


Catwalker Bench

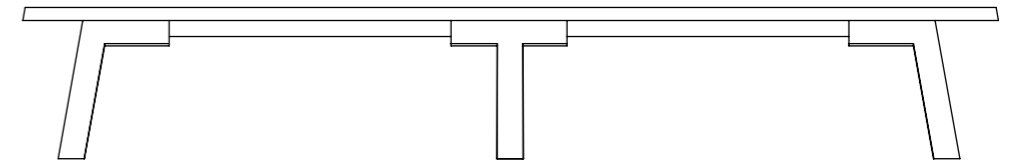
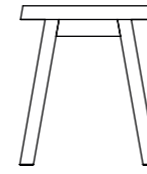
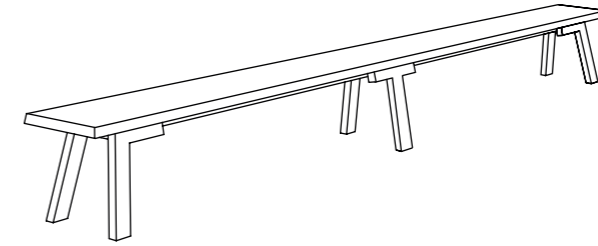


Lenght	Width	Height	Legs	Seat part(s)
120	40	46	4	1
140	40	46	4	1
160	40	46	4	1
180	40	46	4	1
210	40	46	4	1
240	40	46	4	1

On request

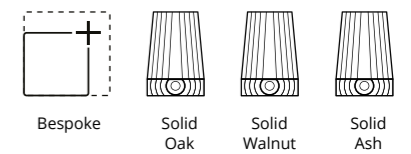


Catwalker Bench Endless

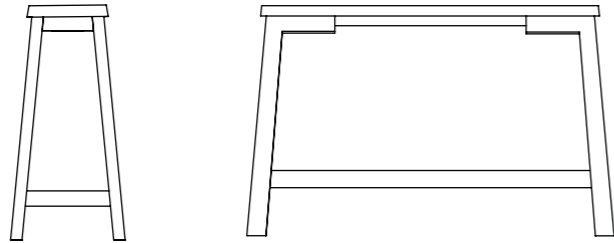
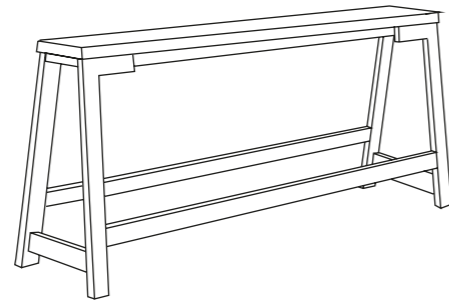


Lenght	Width	Height	Legs	Seat part(s)
400	40	46	6	2

On request

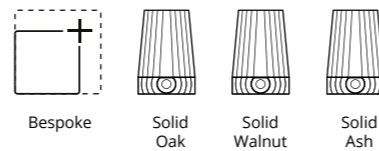


Catwalker High Bench



Lenght	Width	Height	Legs + H frame	Seattop(s)
120	42	60 - 78	4	1
140	42	60 - 78	4	1
160	42	60 - 78	4	1
180	42	60 - 78	4	1
200	42	60 - 78	4	1
220	42	60 - 78	4	1
On request				

120	50	60 - 78	4	1
140	50	60 - 78	4	1
160	50	60 - 78	4	1
180	50	60 - 78	4	1
200	50	60 - 78	4	1
220	50	60 - 78	4	1
On request				

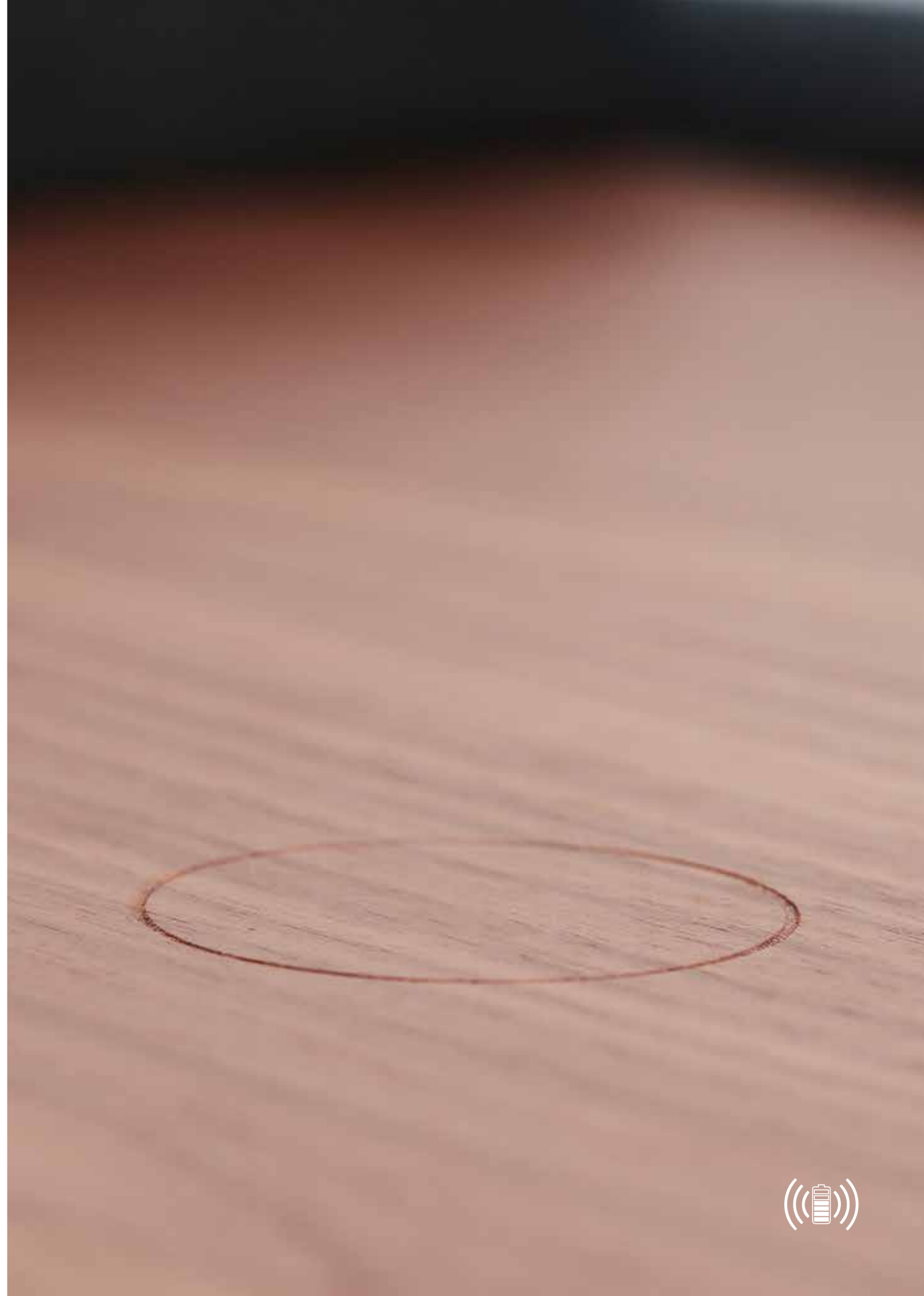


SOFT SEATING



—
SHUFFLE
MODULAR SERIES

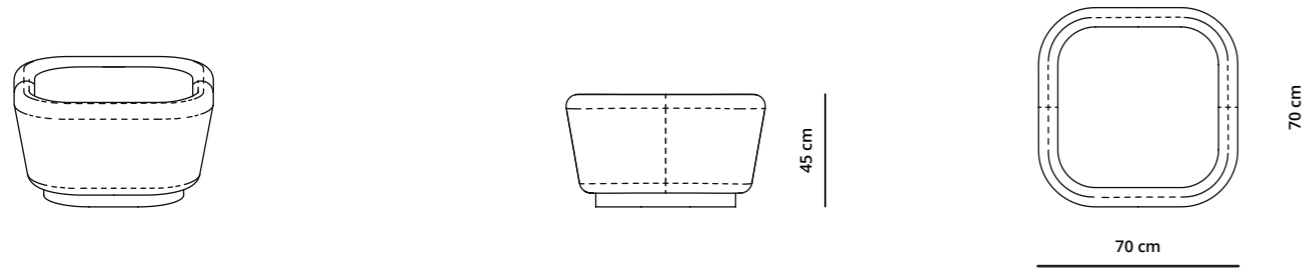




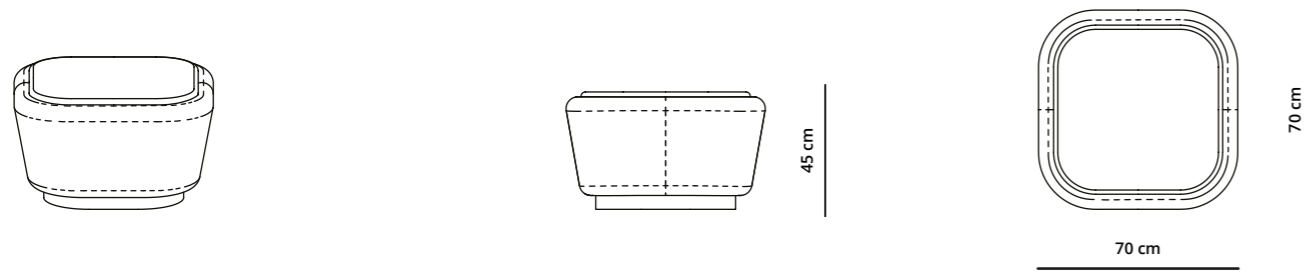




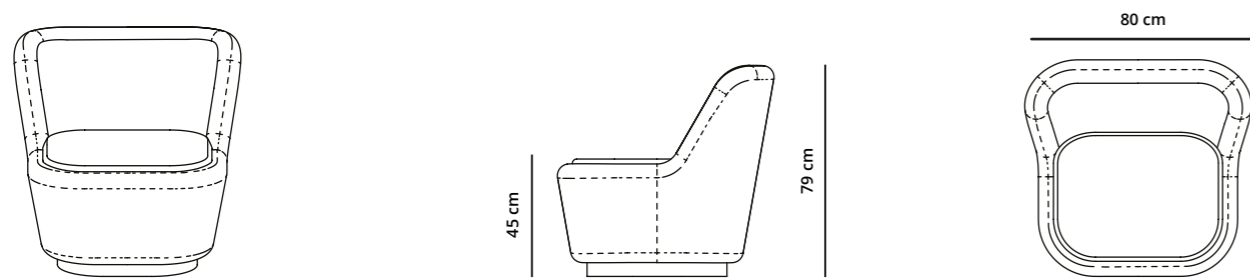
Shuffle Table Pouf



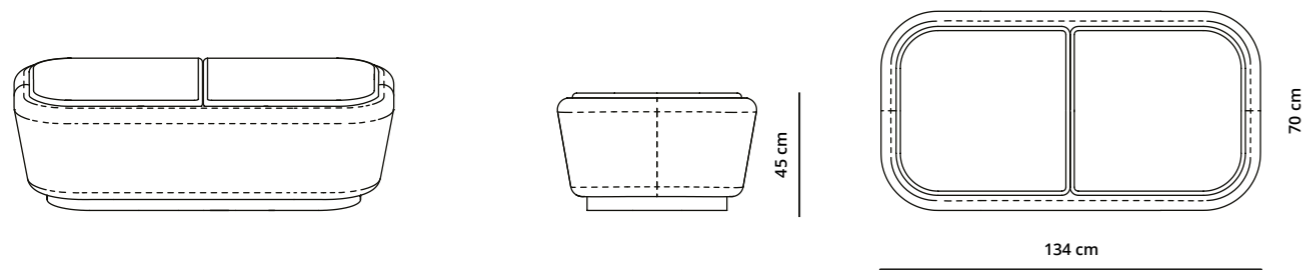
Shuffle Pouf



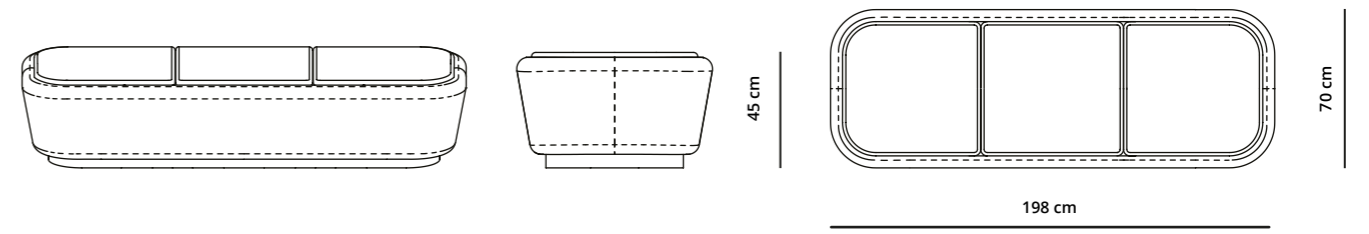
Shuffle Easy Chair



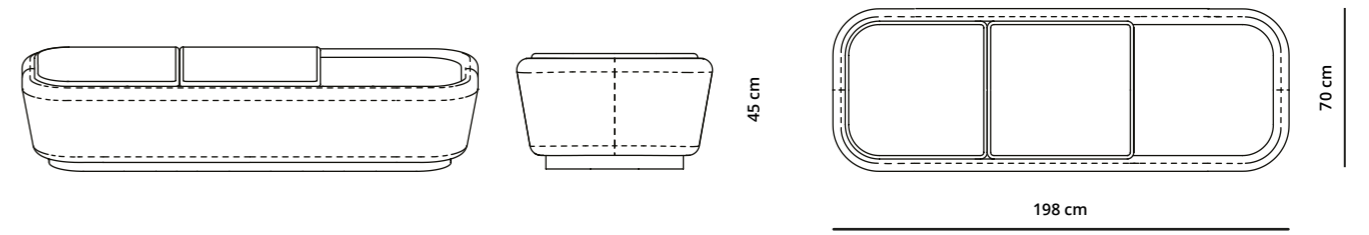
Shuffle Two Seat Bench



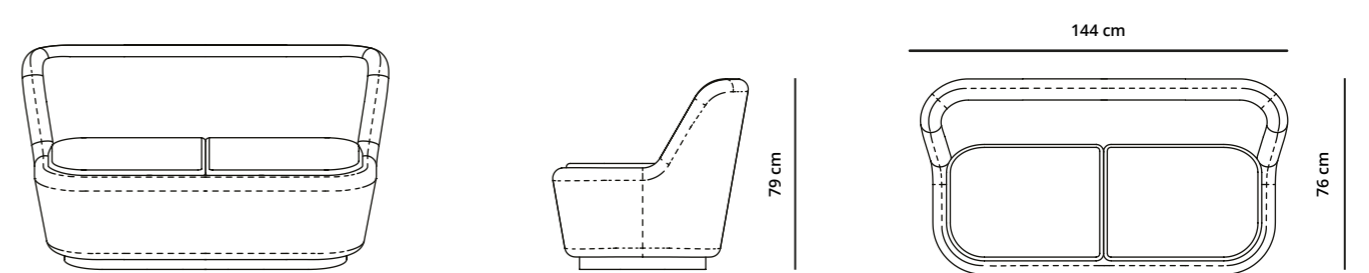
Shuffle Three Seat Bench



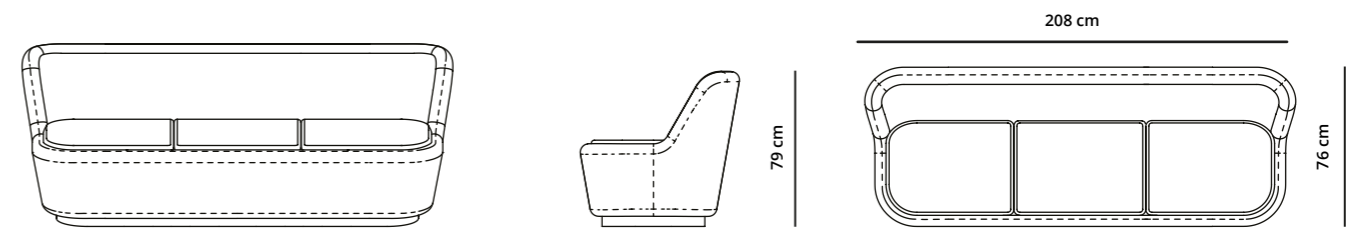
Shuffle Two Seat Bench with table



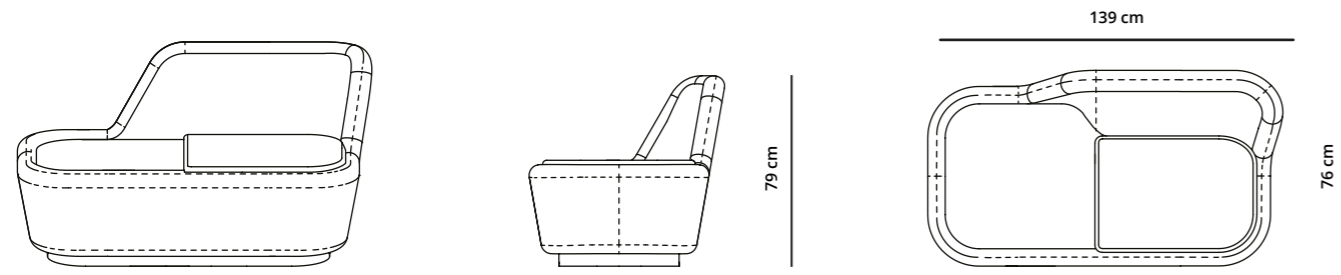
Shuffle Two Seat Sofa



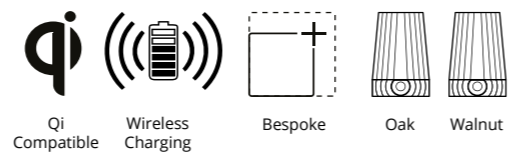
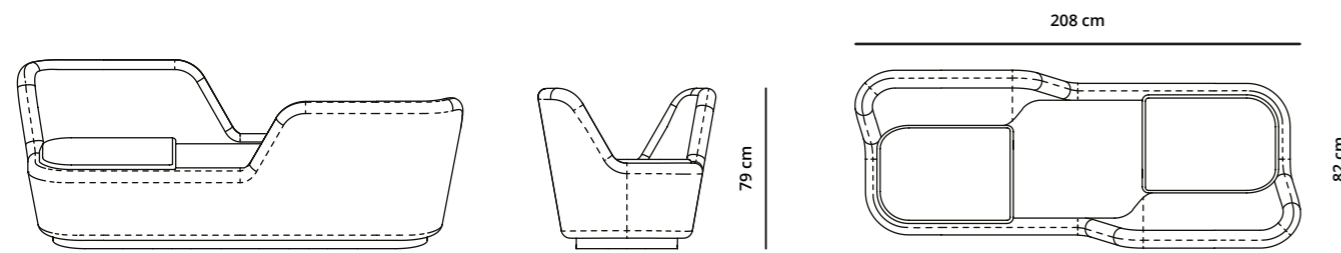
Shuffle Three Seat Sofa



Shuffle Wing Sofa

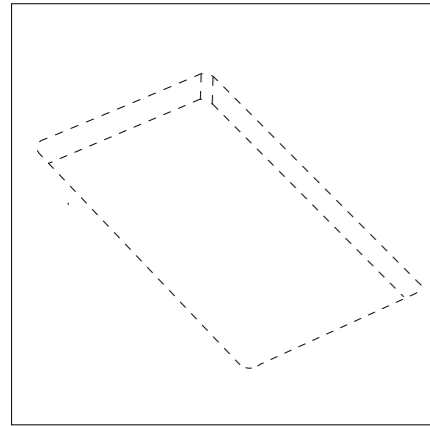


Shuffle Pair Wing Sofa

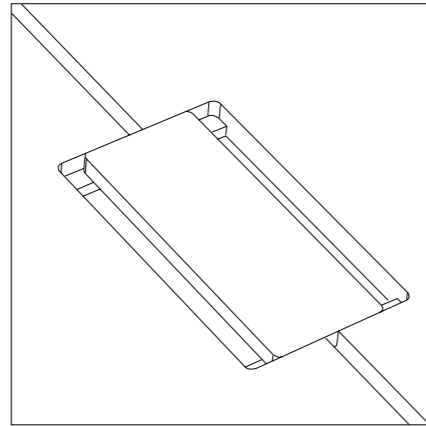


ELECTRIFICATION AND CABLE MANAGEMENT

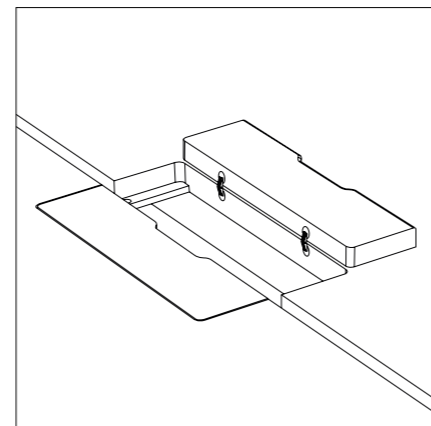
Solid wood systems



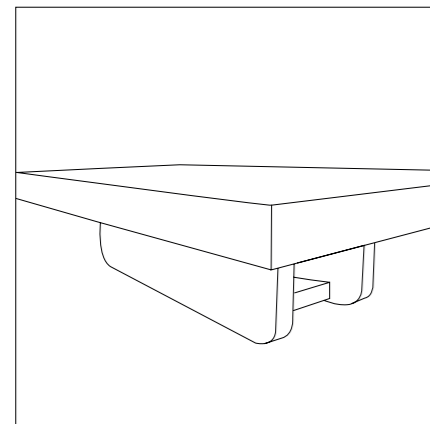
Cut Out



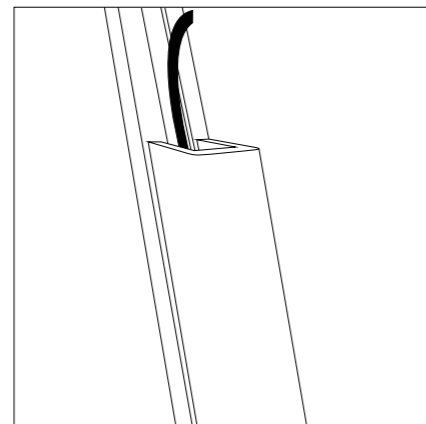
Inlay panel



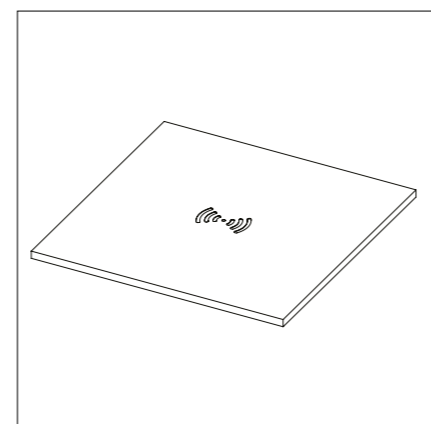
Hinge matching or contrast



Wooden Cable Canal

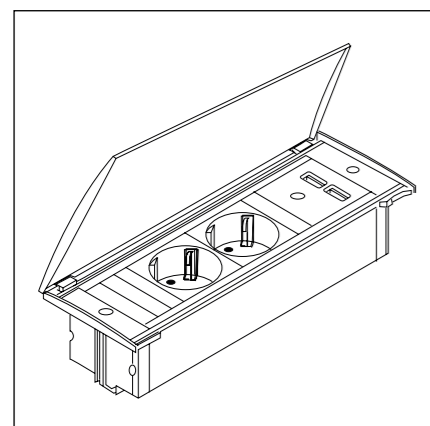


Wooden Cable Canal Leg

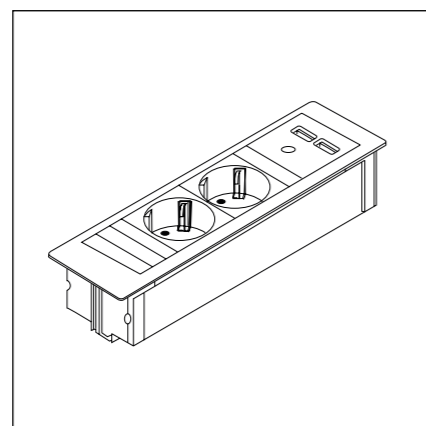


Qi Wireless Charging (Blind)

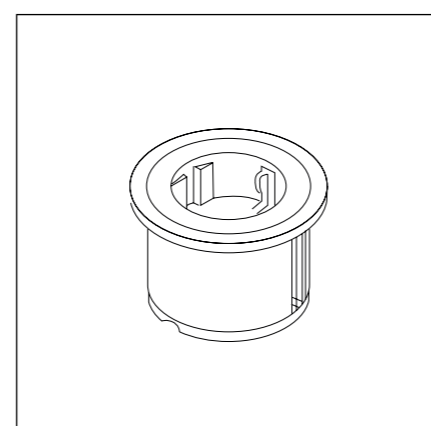
Bachmann Cable Cubbies



Bachmann Kapsa



Bachmann Power Frame



Bachmann Pix

Or choose your own

220



Hinge contrast colour

THE SPELL COLLECTION



Catwalker table | Solid Oak | Natural 000
Photography Fiona Kock



Catwalker - Table



Catwalker - Table Endless



Catwalker - Coworking Endless



Catwalker - Bar



Catwalker - Bar Endless



Tab - Table



Tab - Coworking Endless



Cone - Table Endless



FollowUp - Table Endless



Shift - Table + Bench Endless



Sway - Table Slim



Sway - Bar Slim



Sway - Bar Slim



Sway - Oval



Common - Table



Blush - Table [Cross]



Blush - Table [Round]



Blush - Table [Squircle]



Splitscreen - Oak



Splitscreen - Walnut



Timeline - Bar (tube)



Timeline - Desk



Timeline - Wall Desk



Bold - Table



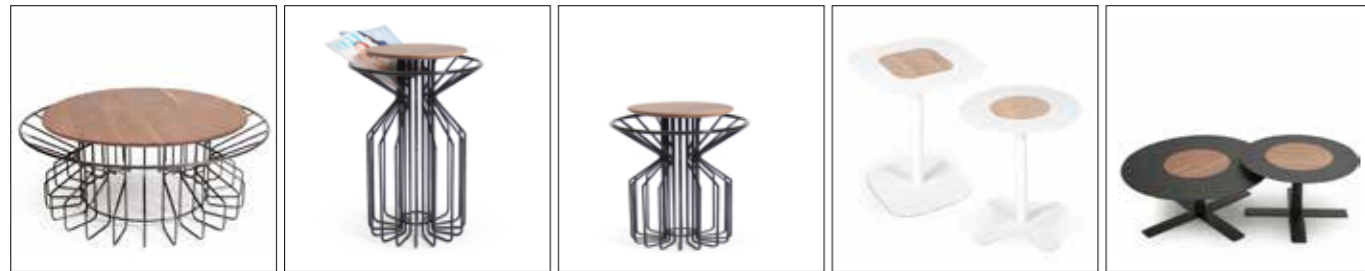
Bold - Table Endless



Woodwork - Desk Endless Catwalker - High Bench Catwalker - Bench Catwalker - Bench Endless Shift - Bench



Catwalker - Stool Catwalker - Stool Upholstered Catwalker - Bar & Counter stool Worker - Stool High Worker - Stool Low



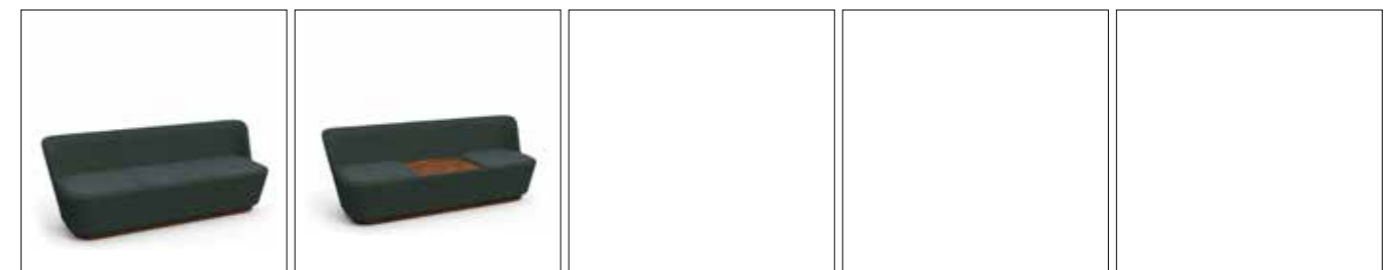
Amarant - Coffee Table Amarant - Side Table Medium Amarant - Side Table Low Blush - Side Table Blush - Salon Table



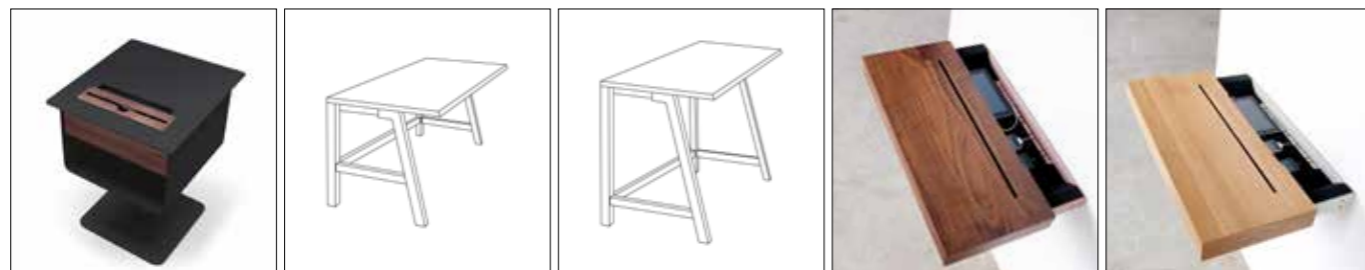
Shuffle - Table Shuffle - Hocker Shuffle - Easy Chair Shuffle - Pair Wing Sofa Shuffle - Two Seats Sofa



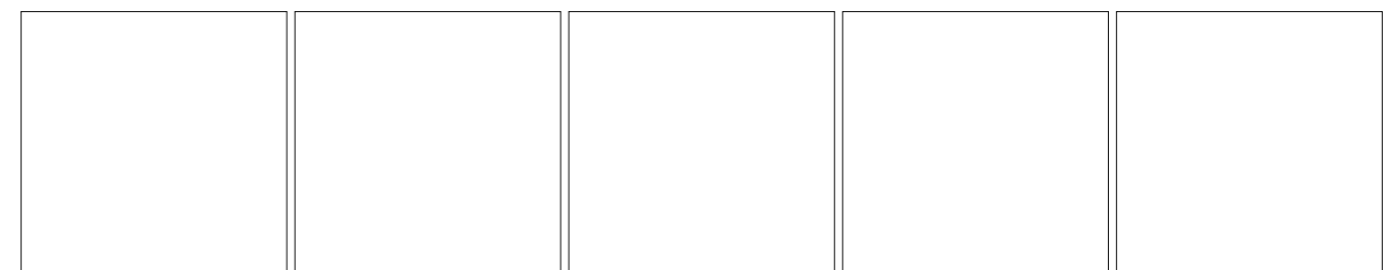
Nomad - Tablet Table Nomad - Tablet Table Next - Wireless Charging Mondo - Side & Coffee-Table Mondo - Side & Coffee-Table



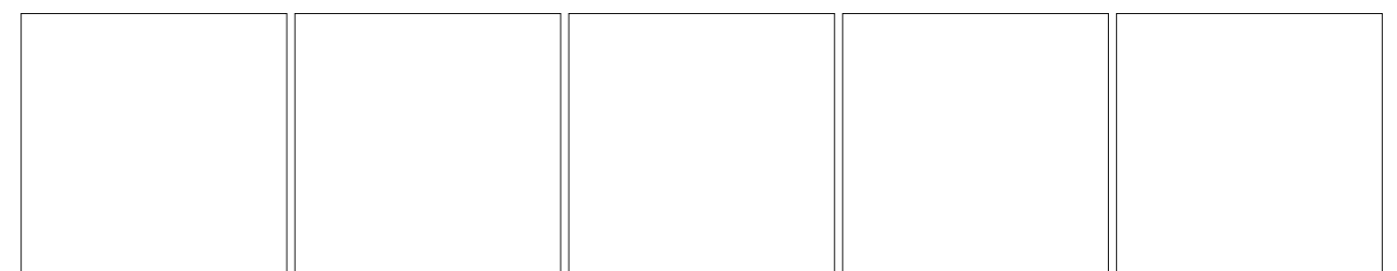
Shuffle - Three Seats Sofa Shuffle - Two Seats Table Sofa



Nomad - Night Stand Catwalker - Desk Low Catwalker - Desk High Stage - Charge Shelf Stage - Charge Shelf



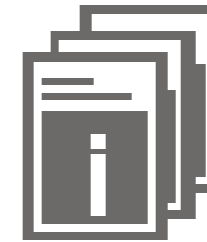
Reset - Storage Reset - Storage SetUp - Monitor/Laptop Stand SetUp - Monitor/Laptop Stand Mousepad - Premium



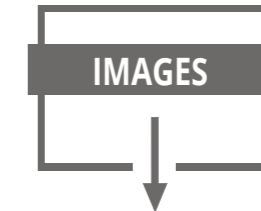
MEDIABANK



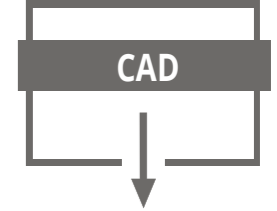
PRINTMEDIA



DATASHEETS



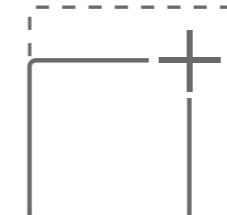
DOWNLOAD
IMAGES



DOWNLOAD
CAD FILES



REFERENCES



COLLECTION + & CUSTOM
EXAMPLES

www.spell-online.com/downloads provides you with multitude of product images (clean background), interiors and reference photo's.

It's also possible to get acces to all CAD drawings that you might need for your planning.

Feel free to send us your personal data request.
We are pleased to assist you in the best possible way.

www.spell-online.com

Showrooms & Agents

The Netherlands, Belgium, Germany,
Denmark & Norway, Australia

Contact & Orders

info@spell-online.com
sales@spell-online.com
+ 31 (0)344 842765

[instagram.com/spell_furniture](https://www.instagram.com/spell_furniture)

V1-June -2022

© 2022 Spell

All rights reserved. Text and printing errors reserved.



Photography Fiona Kock

